

**LONG SPAN
STRUCTURAL MULLION**

E

TECTUM SIPS

FLASHING

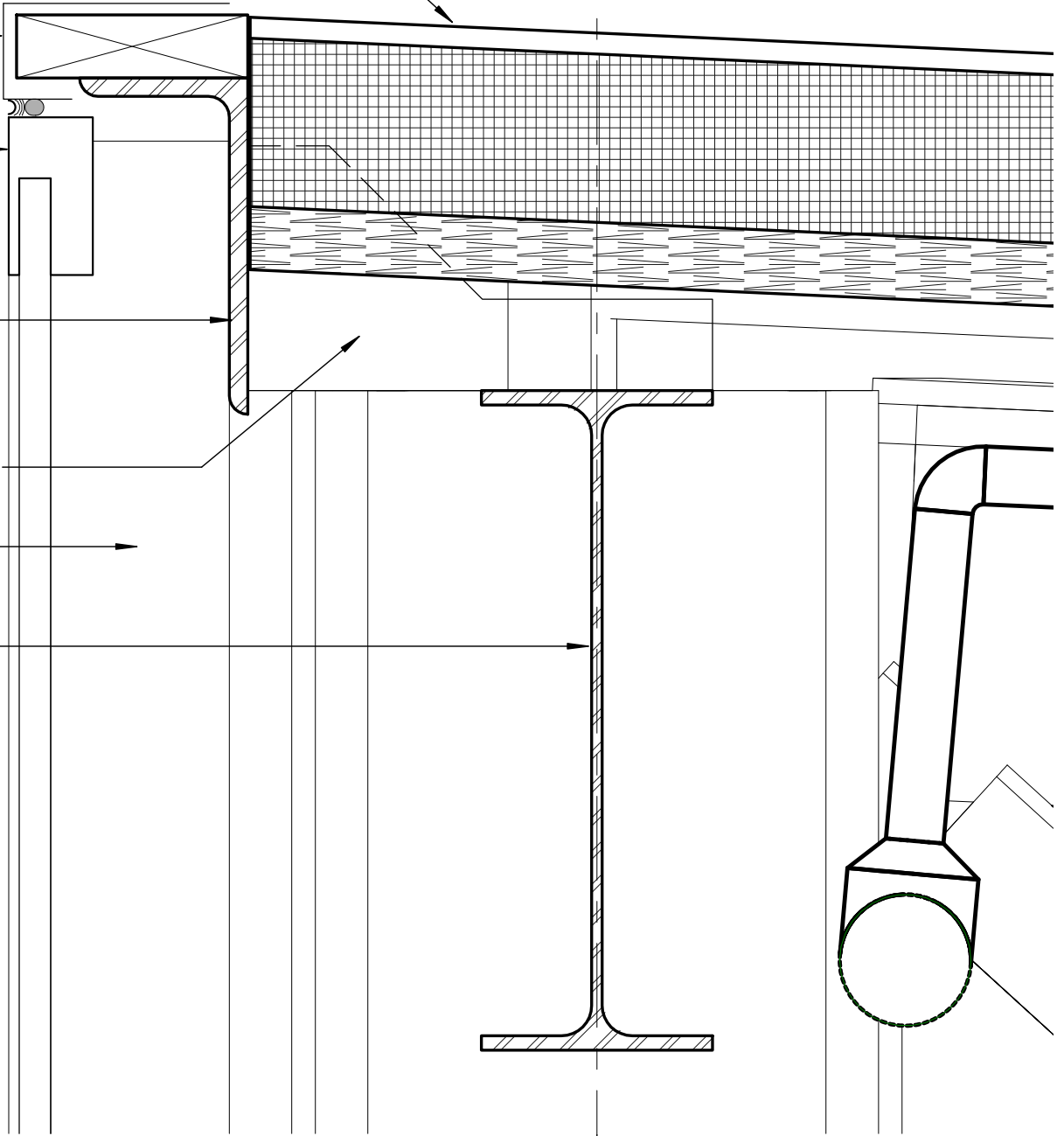
POLYCARB HEAD

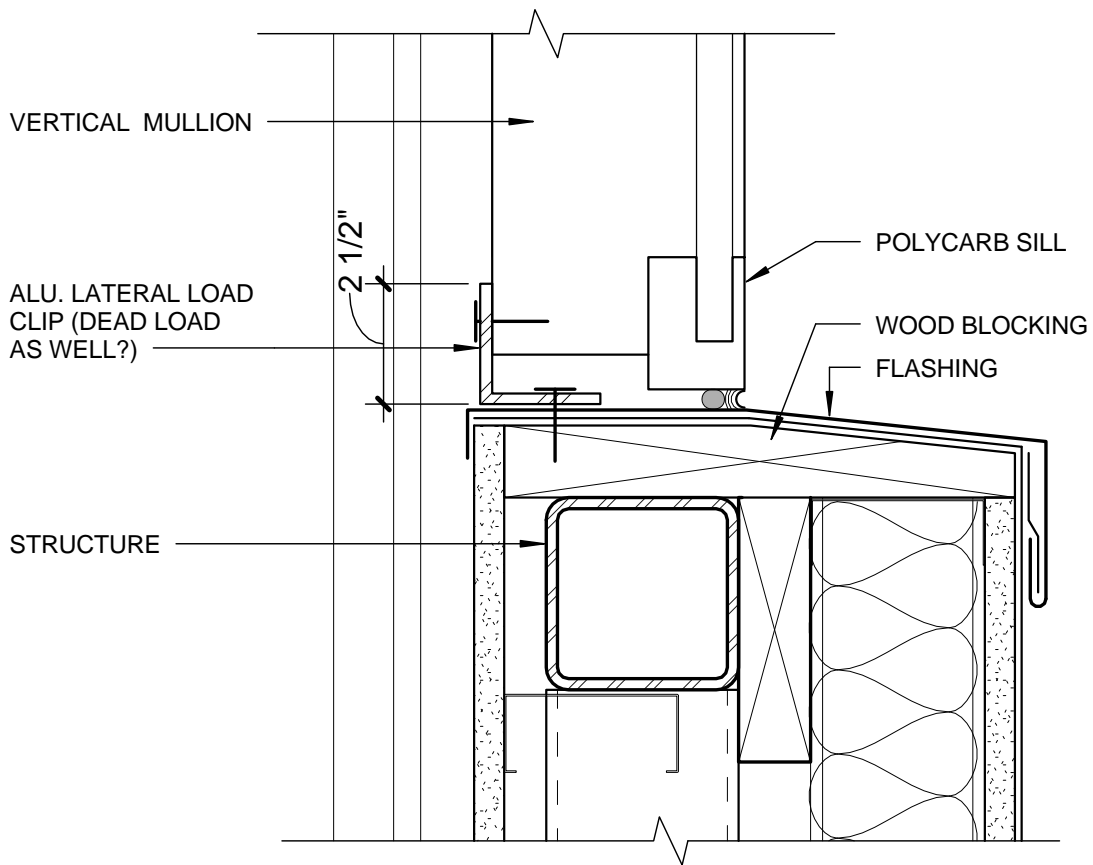
CONT. ANGLE

PLATE STEEL @ 8' O.C.

VERTICAL MULLION

STRUCTURAL BEAM





1

VERTICAL MULLION

CLIP

POLYCARBONATE PANEL

FLASHING

POLYCARBONATE SILL

CONCRETE
MASONRY VENEER

MASONRY TIE

MEZZANINE
10'-0"

