



Create a brighter environment while saving on energy costs with the durability and superior engineering of our award winning LIGHTWALL 3000 curtain wall system.

While most curtain wall systems on the market are not designed with the proper gasketing to fit polycarbonate panels, the LIGHTWALL 3000 is configured for a variety of environments and applications. The 3000 can be used as a traditional

glass curtain wall system. It also accepts cellular polycarbonate or metal panels. In addition to its framing benefits, The LIGHTWALL 3000 also features several structural mullions for long spanning capabilities.

SYSTEM FEATURES

- Deep Glazing Channels
- Low Friction Gasketing
- Controlled Gasket Pressure
- Thermally broken, 3-inch-wide aluminum framing
- Shallow vertical mullion option allows for placing on existing structure
- Deep vertical mullion option allows for large vertical panel spans
- Excellent internal water control. End dams at ends of each horizontal mullion to direct water to weep holes
- Components are factory fabricated, including the insertion of gasketing, allowing for quick installation
- Aluminum framing members overlap for superior air and water infiltration resistance
- Optional aluminum caps snap onto the pressure caps to provide a finished architectural appearance
- Chosen as one of Architectural Record's "Product Reports" winners
- Tested to the AAMA standards for air filtration, water filtration, and structural strength



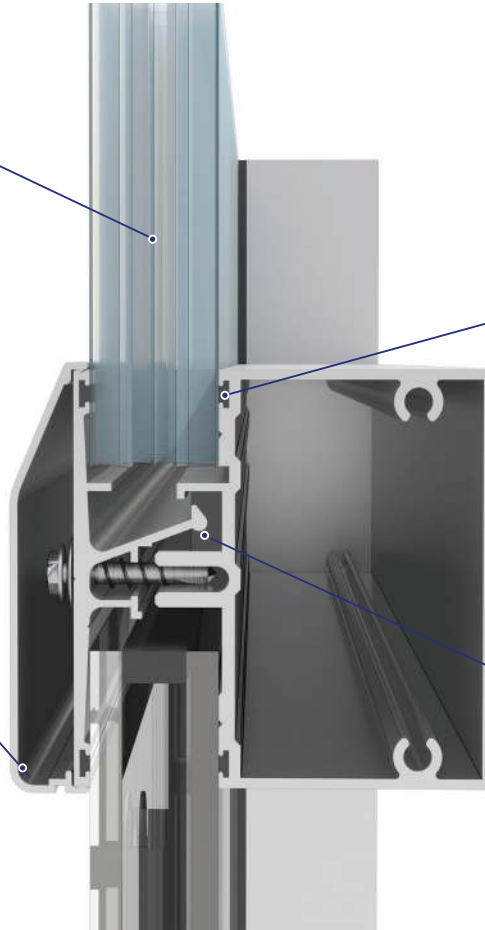
KEY ELEMENTS

INCORPORATES GLASS AND POLYCARBONATE

LOW FRICTION GASKETS

END DAMS FOR WATER CONTROL

ELASTOMETRIC SEAL



TEST RESULTS

Flammability Testing

- Self-ignition: ASTM D-1929
- Smoke Density: ASTM D-2843
- Burn Extent: ASTM D-635
- Interior Flame Spread: ASTM E-84

Weathering Testing

- Color Change: ASTM D-2244
- Yellowing Index: ASTM D-1925
- Light Transmission: ASTM D-1003

Miscellaneous

- Air Infiltration: ASTM E-283
- Water Infiltration: ASTM E-331
- Load Bearing Capability: E-330
- U-Value: ASTM C-518