



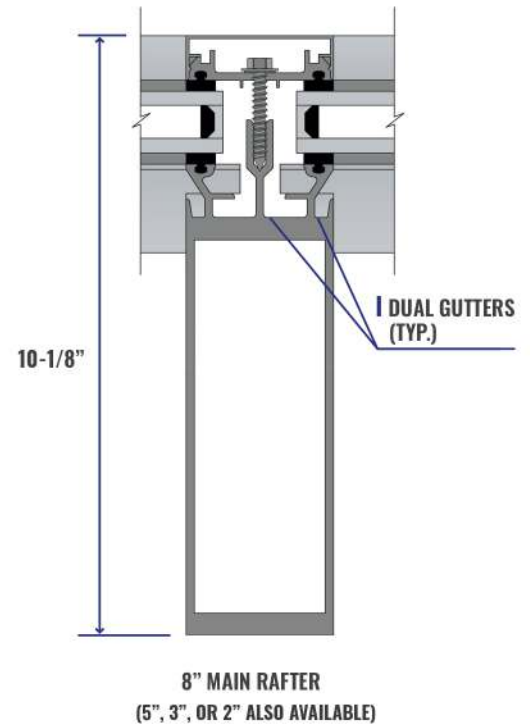
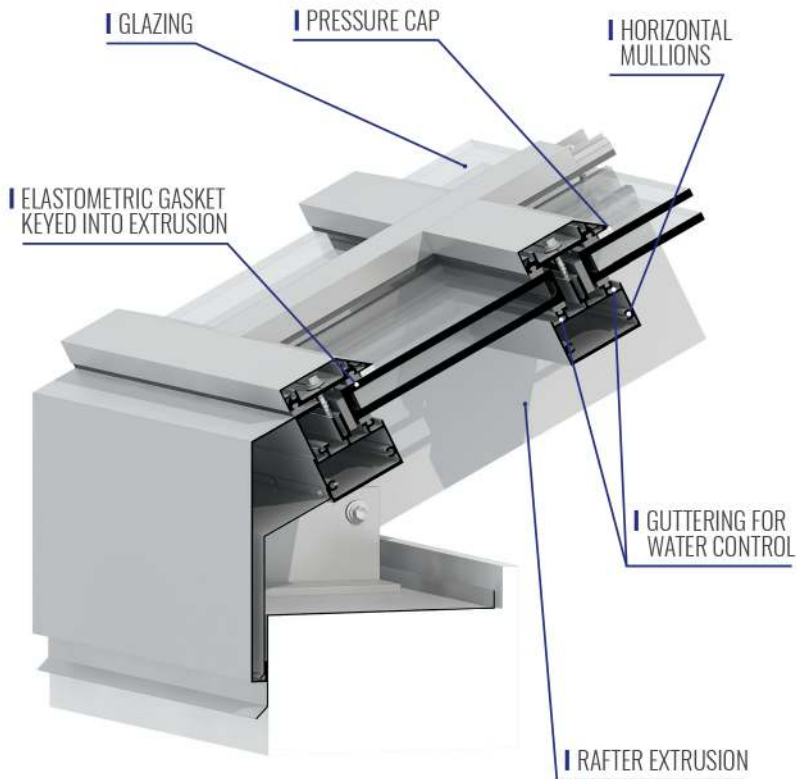
The SKYSHADE 2500 is a sleek, long spanning glass canopy system that incorporates continuous mullions, which secure the glazing. An internal gutter system, sturdy aluminum framing, and full fabrication are just a few benefits that the SKYSHADE 2500 system has to offer.



## FEATURES

- Designed for Commercial, Industrial and Architectural use.
- Accepts glass glazing up to 1-5/16" thick, including monolithic or insulated glass units.
- Aluminum finish can be anodized, baked enamel or high-performance PVDF fluoropolymer paint.
- Available with conventional aluminum cover caps or as a silicone butt glazed system.
- Condensation and leakage are controlled by separate gutters.
- Thermally improved framing is available.

# KEY ELEMENTS



## TEST RESULTS

### Air Infiltration per ATSM E-283:

0.010 cfm/sq. ft. @ 12 psf

### Water Infiltration per ATSM D-331:

No Leakage @ 15 psf

### Structural Test per ATSM E-330:

Deflection of Less Than  
L/250 at 60 psf