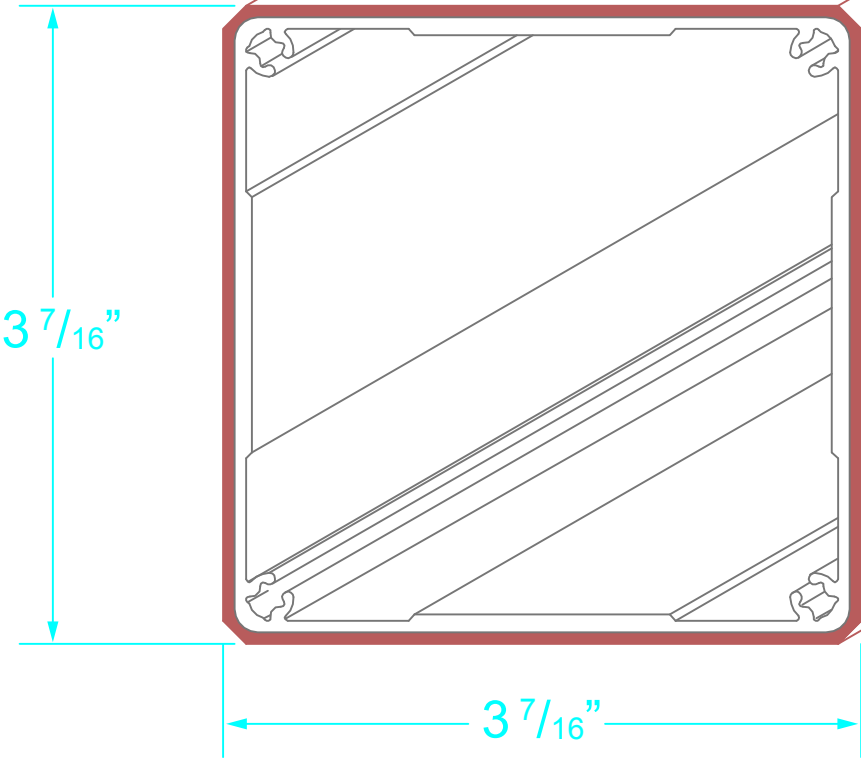


Trim Length: - Per customers specification  
Weight per lineal ft.: - Careo 6014 = 1.81 lbs



Careo 6014

**Geolam**  
Architectural Eco-Technology

Title  
**Hybrid Aluminum/WPC  
Careo 6014**

Drawn **BR** Revision **A**

Date **2/22/16** Date **3/21/17**