

Series 3000 Curtainwall System



LIGHTWALL®, a monumental, professional curtainwall designed to accept glass and polycarbonate in the same system

FEATURING:

- Will accept glass (up to one inch thick) or cellular polycarbonate (16mm or 25mm).
- Possibly the only true curtainwall that has ever been designed with polycarbonate friendly engineering in mind. Includes:
 - Deep Glazing Channels
 - Low Friction Gasketing
 - Controlled Gasket Pressure
 - Overlapping Framing Members
- Aluminum framing, 3" wide, is thermally broken.
- Shallow vertical mullion option allows for placement of the system on existing structure.
- Deep vertical mullion option allows for long spans.
- Internal water control. End dams at ends of each horizontal mullion direct water to weep holes.
- Complete fabrication of components at the factory, including the insertion of gasketing ... all of which translates into rapid field erection.
- Simple connection between horizontal and vertical mullions to speed erection.
- Overlapping aluminum framing members for superior air and water infiltration resistance.
- Optional cosmetic framing caps to provide a finished architectural appearance.

Glazing and Performance Information

GLAZING:

All monolithic and cellular polycarbonates or acrylics from 16mm ($\approx 5/8"$) to 25mm ($\approx 1"$); Glass glazings up to 1".

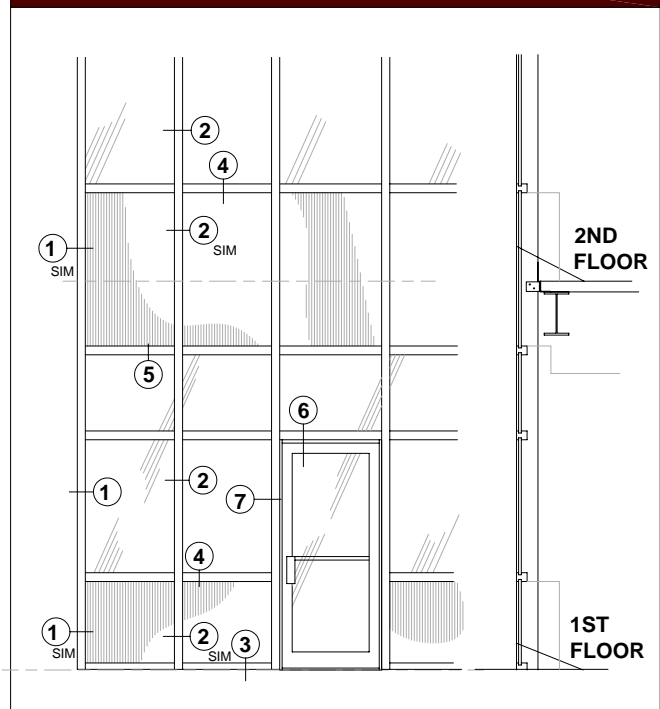
PERFORMANCE:

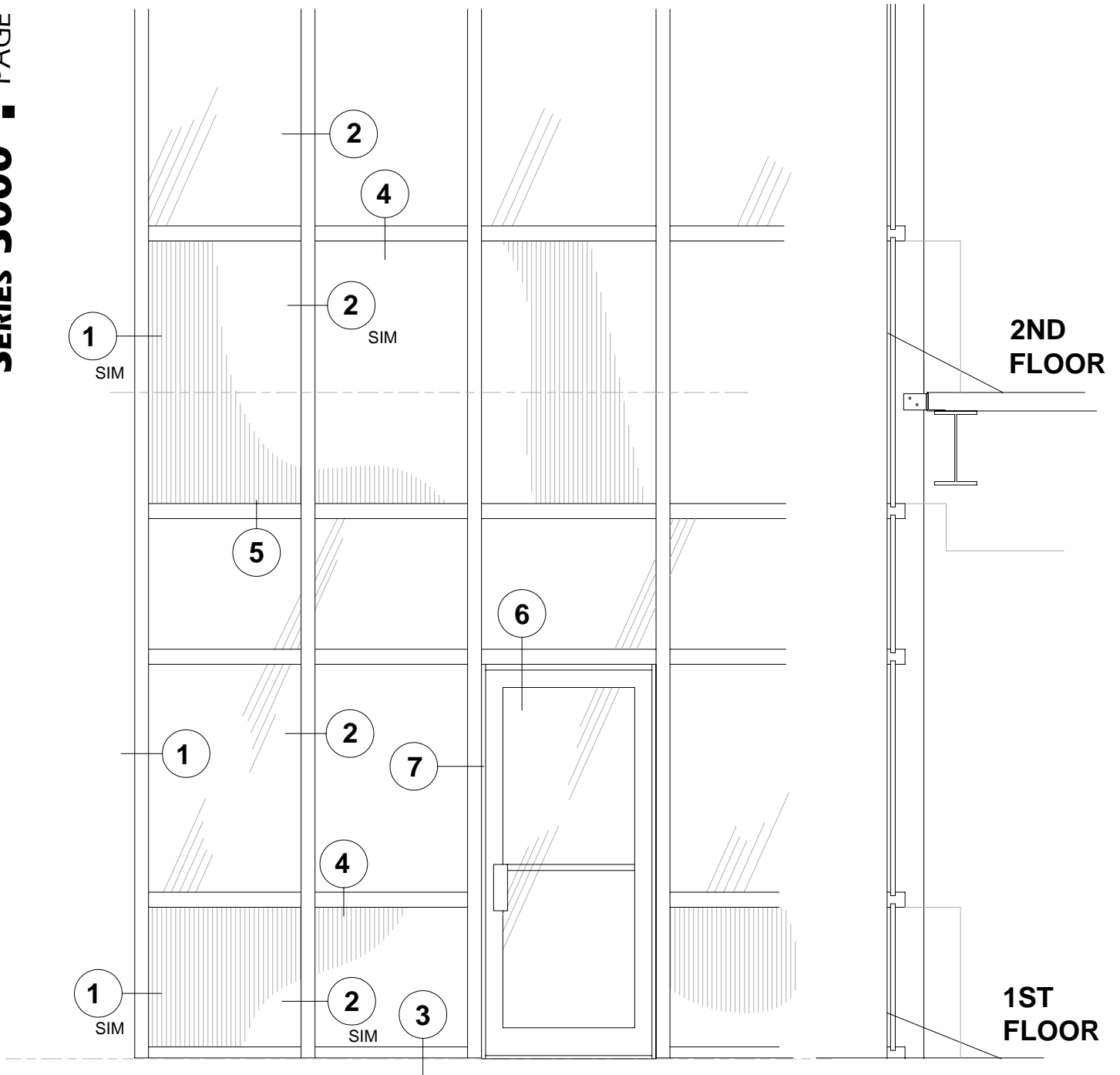
Air infiltration: .024 cfm per sq. ft. at 6.24 PSF (50 mph) (ASTM E-283)

Water resistance: No leakage at 15 PSF (ASTM E-331)

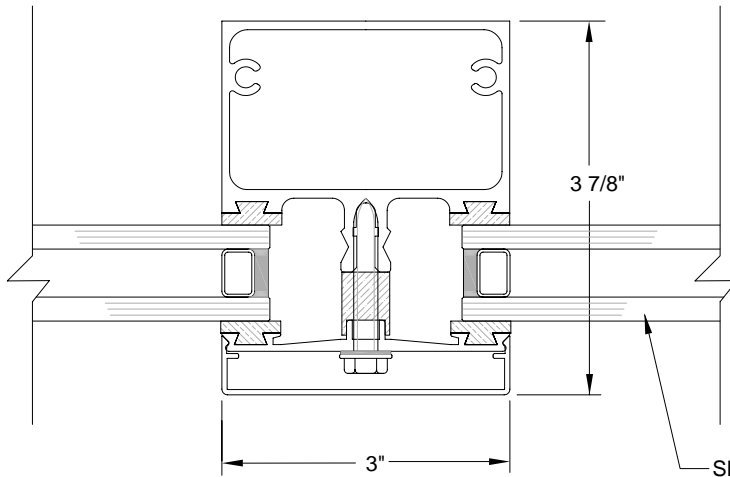
Structural: Deflection of any framing member not to exceed L/175 (ASTM E-330)

Series 3000 Typical Configuration



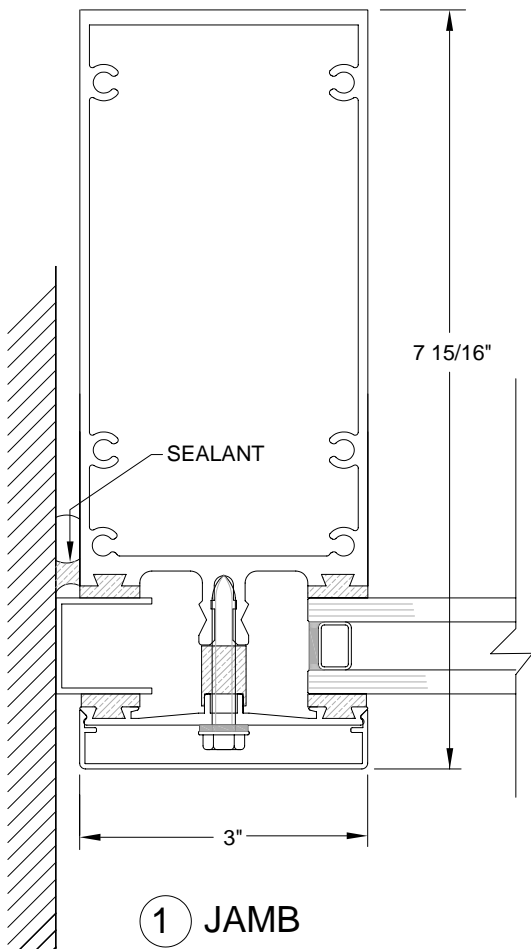


TYPICAL CURTAINWALL ELEVATION

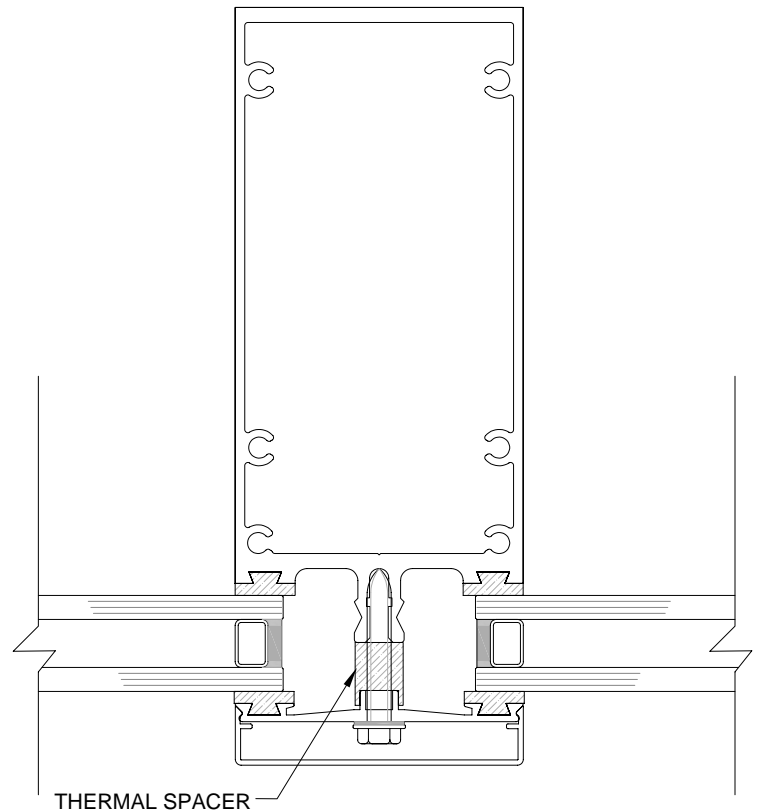


SHOWN: 1" INSULATED
GLASS (CELLULAR
POLYCARBONATE 5/8"
TO 1" IS OPTIONAL)

OPTIONAL 2" MULLION



① JAMB
(SHOWN WITH 6" MULLION)



② 6" MULLION

25mm
POLYCARBONATE
(SHOWN)

WEEP

COSMETIC SNAP COVERS
ARE OPTIONAL

WEEP

⑤ INTERMEDIATE
HORIZONTAL

1" INSULATED GLASS (SHOWN)

WEEP

3 3/4"

④ INTERMEDIATE
HORIZONTAL

3 3/8"

ELASTOMERIC SEAL
(TYP.)

SLOPED LEG FOR
INTERNAL DRAINAGE

THERMAL
SPACER

25mm POLYCARBONATE OR 1"
SPANDREL PANEL (SHOWN)

WEEP

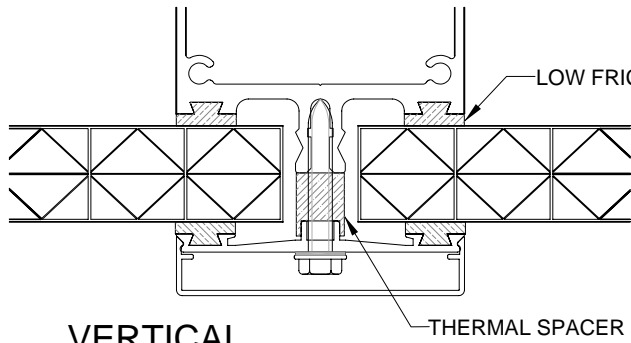
3 3/4"

2 3/8"

NATURAL WEEPAGE BETWEEN
PLASTIC THERMAL SPACERS

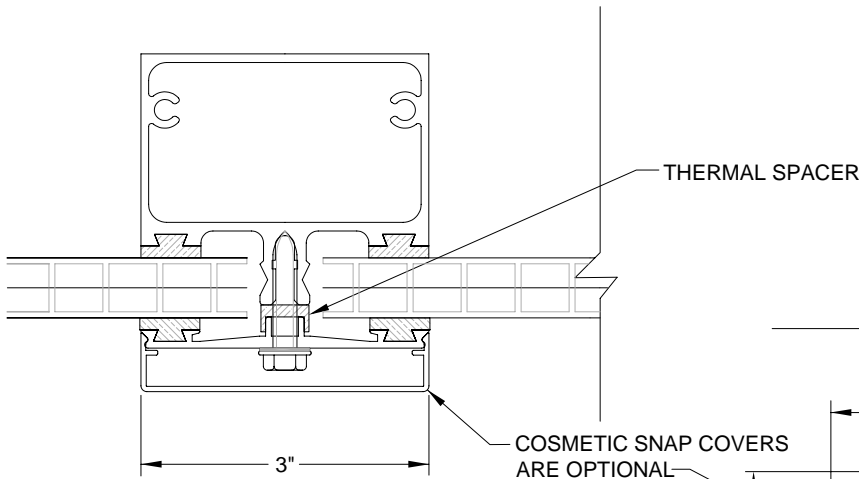
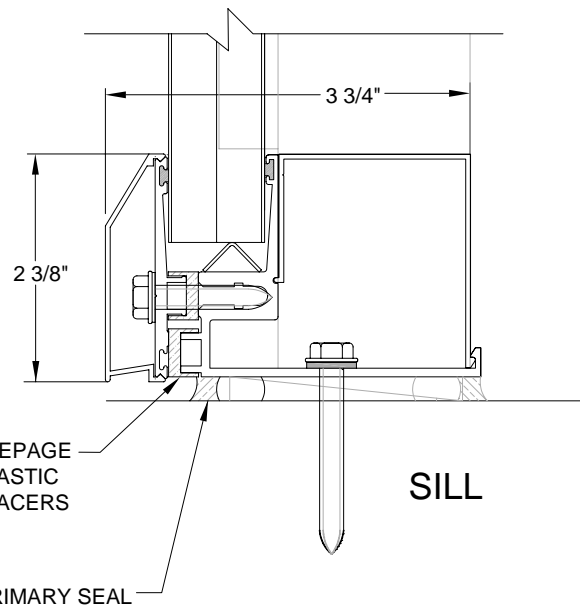
PRIMARY SEAL

③ SILL



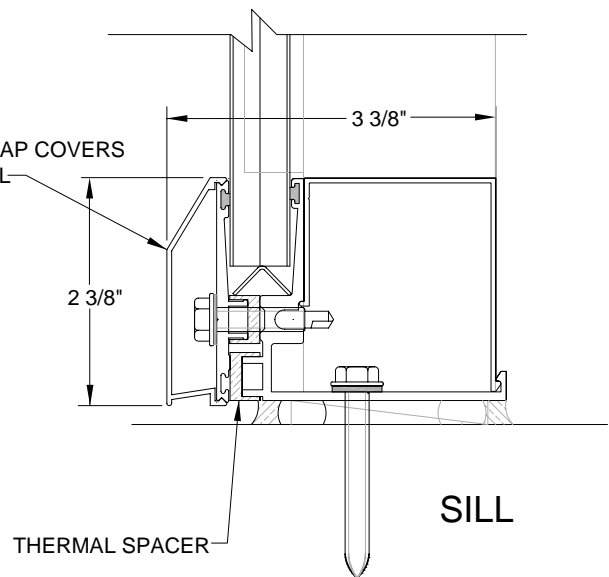
**VERTICAL
MULLION**

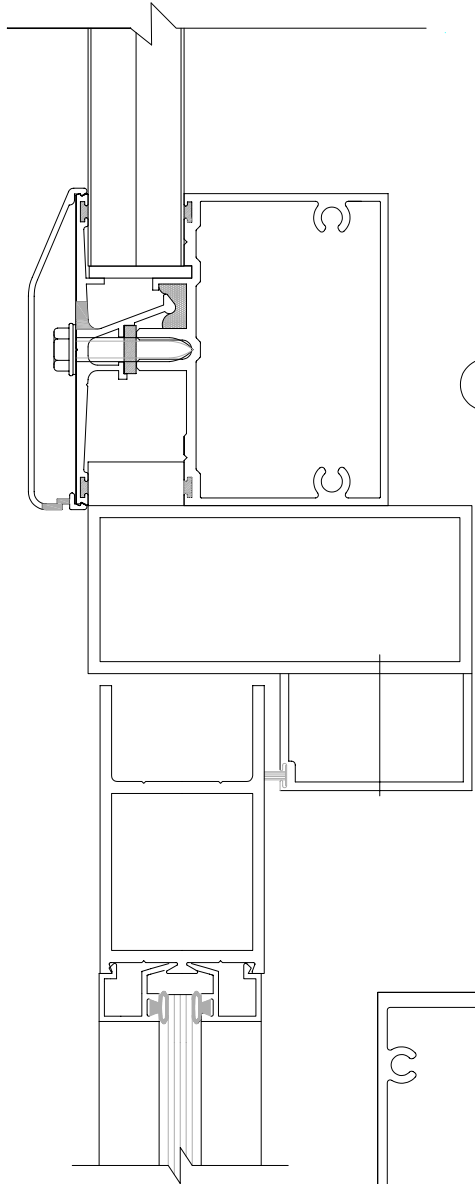
**SHOWN WITH
25mm POLYCARBONATE
GLAZING**



**VERTICAL
MULLION**

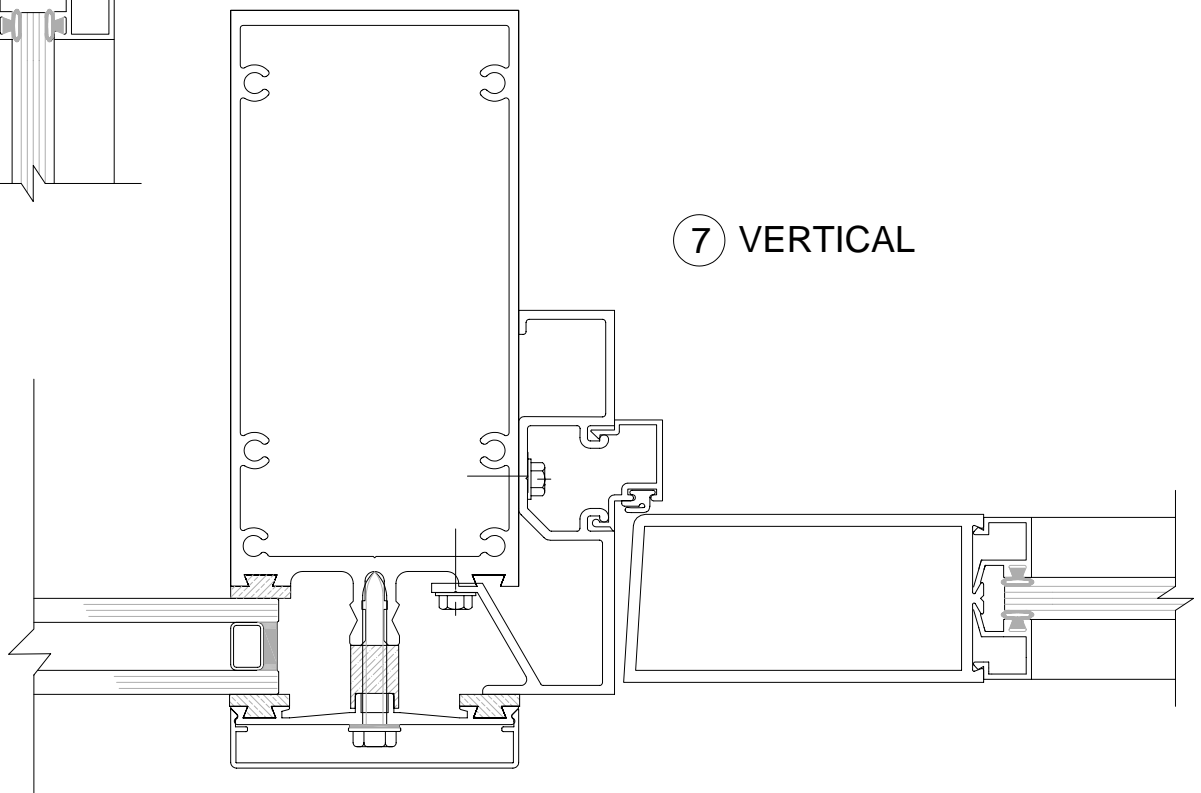
**SHOWN WITH
16mm POLYCARBONATE
GLAZING**



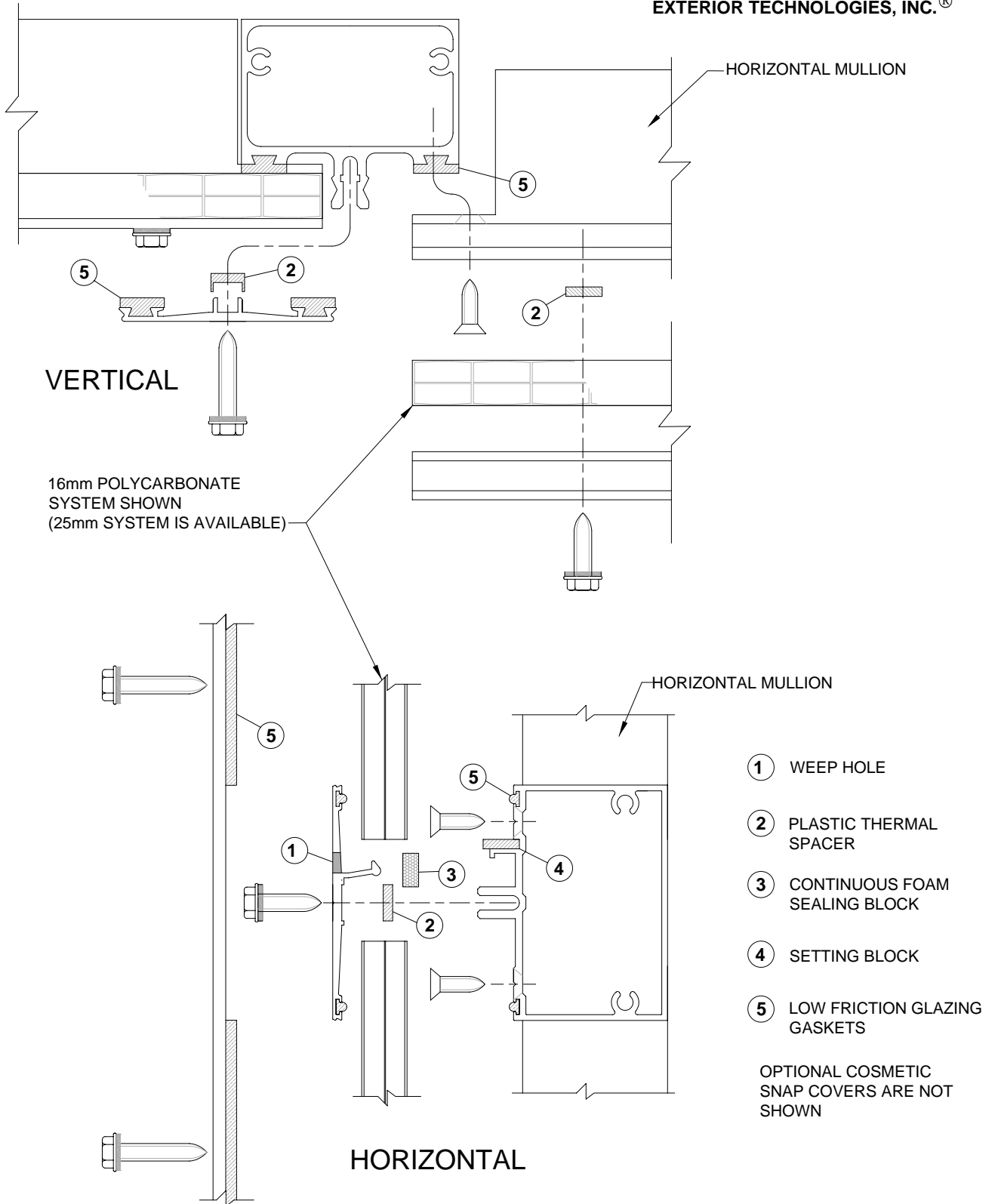


⑥ HORIZONTAL

TYPICAL DETAILS FOR
DOOR APPLICATIONS



⑦ VERTICAL



EXPLODED VIEW OF TYPICAL FRAME ASSEMBLY