

# Series 3440 Vertical Polycarbonate Wall System

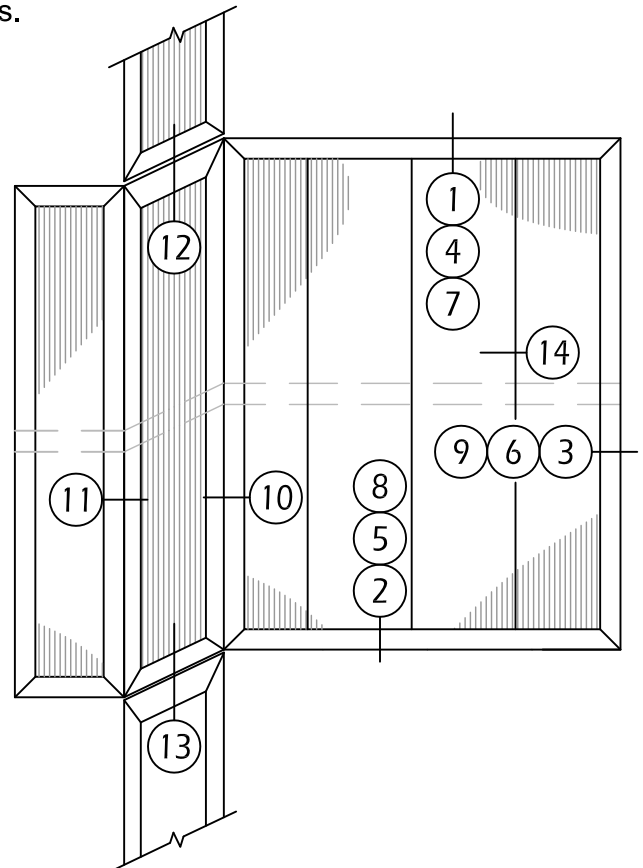
**EXTECH**  
EXTERIOR TECHNOLOGIES, INC.  
Creative Design & Manufacturing

*You Imagine, We Deliver*

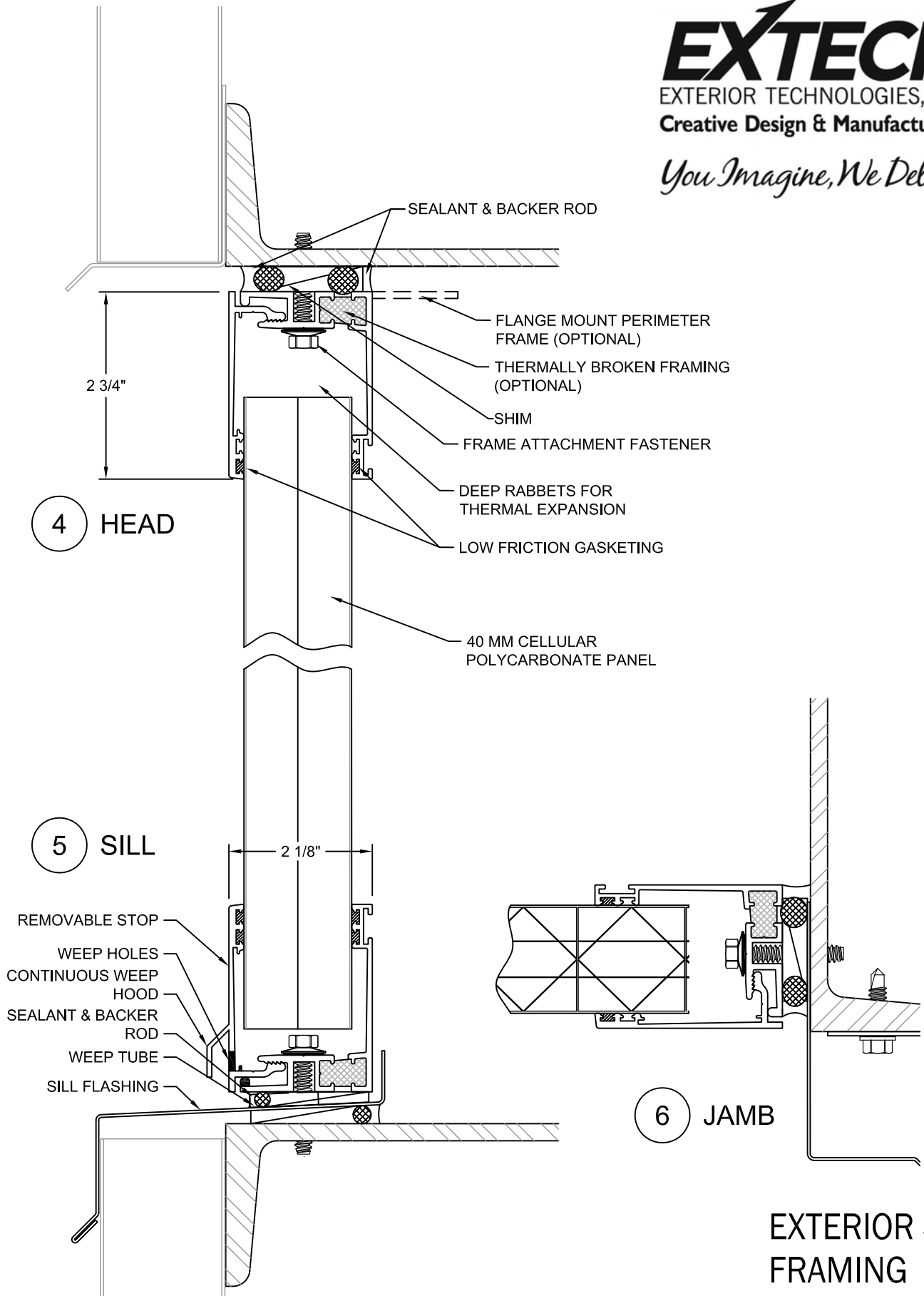
**Series #3440: Vertical wall system utilizing tongue & groove glazing panels. Suitable for retrofit as well as new construction projects.**

## FEATURES:

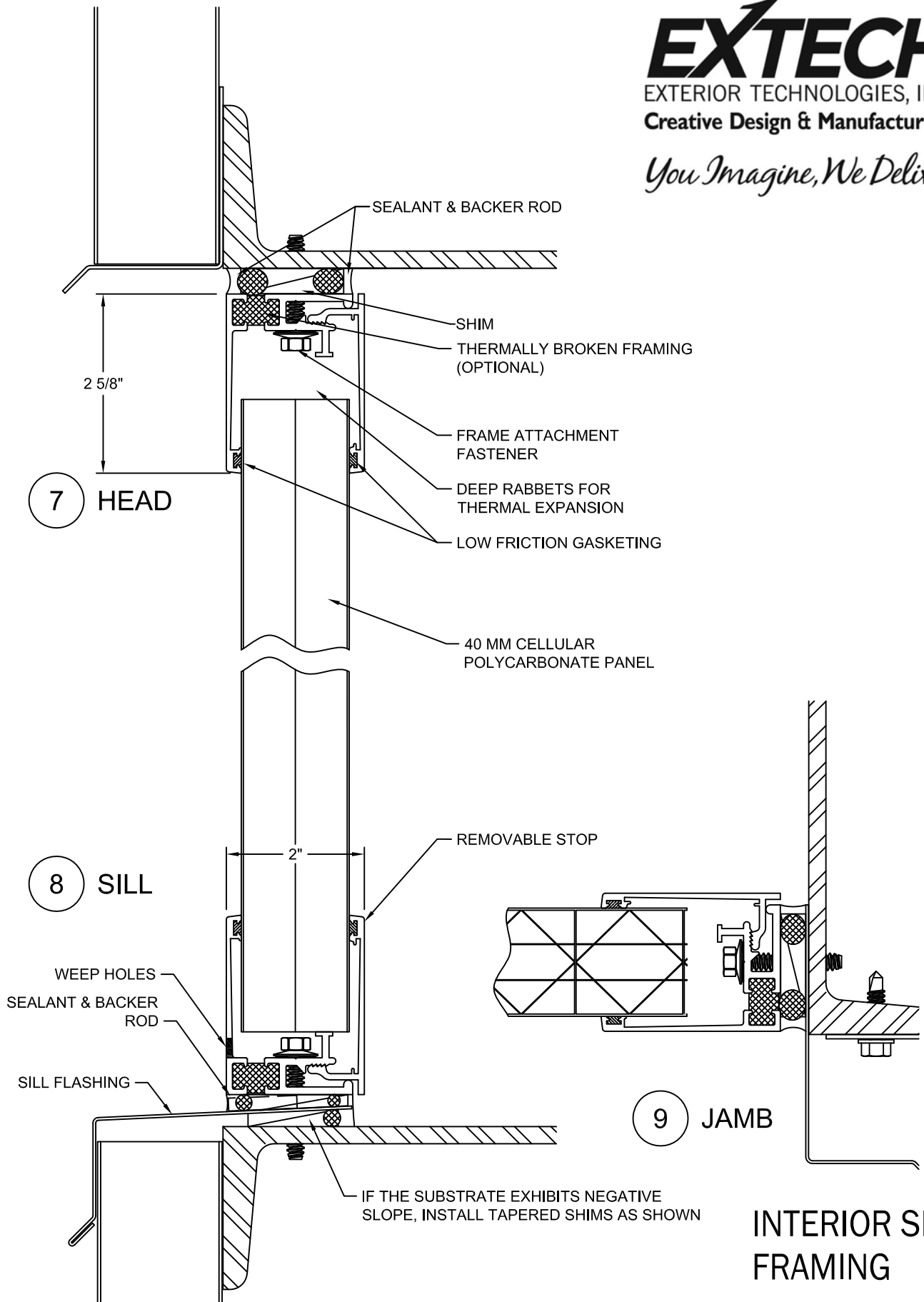
- Glazing panel tongue and groove connection provides a monolithic appearance, unbroken by horizontal or vertical framing members.
- Glazing panels are 19 11/16" wide and are available in lengths up to 39'.
- Glazing panels are available in a wide range of colors.
- Perimeter framing is specifically designed for the unique thermal movement characteristics of polycarbonate glazing materials and includes:
  - Deep glazing rabbets
  - Low friction gasketing
  - Controlled gasket pressure
- Perimeter framing is available in a variety of anodized and high performance painted finishes, and also with poured and debridged thermal breaks.



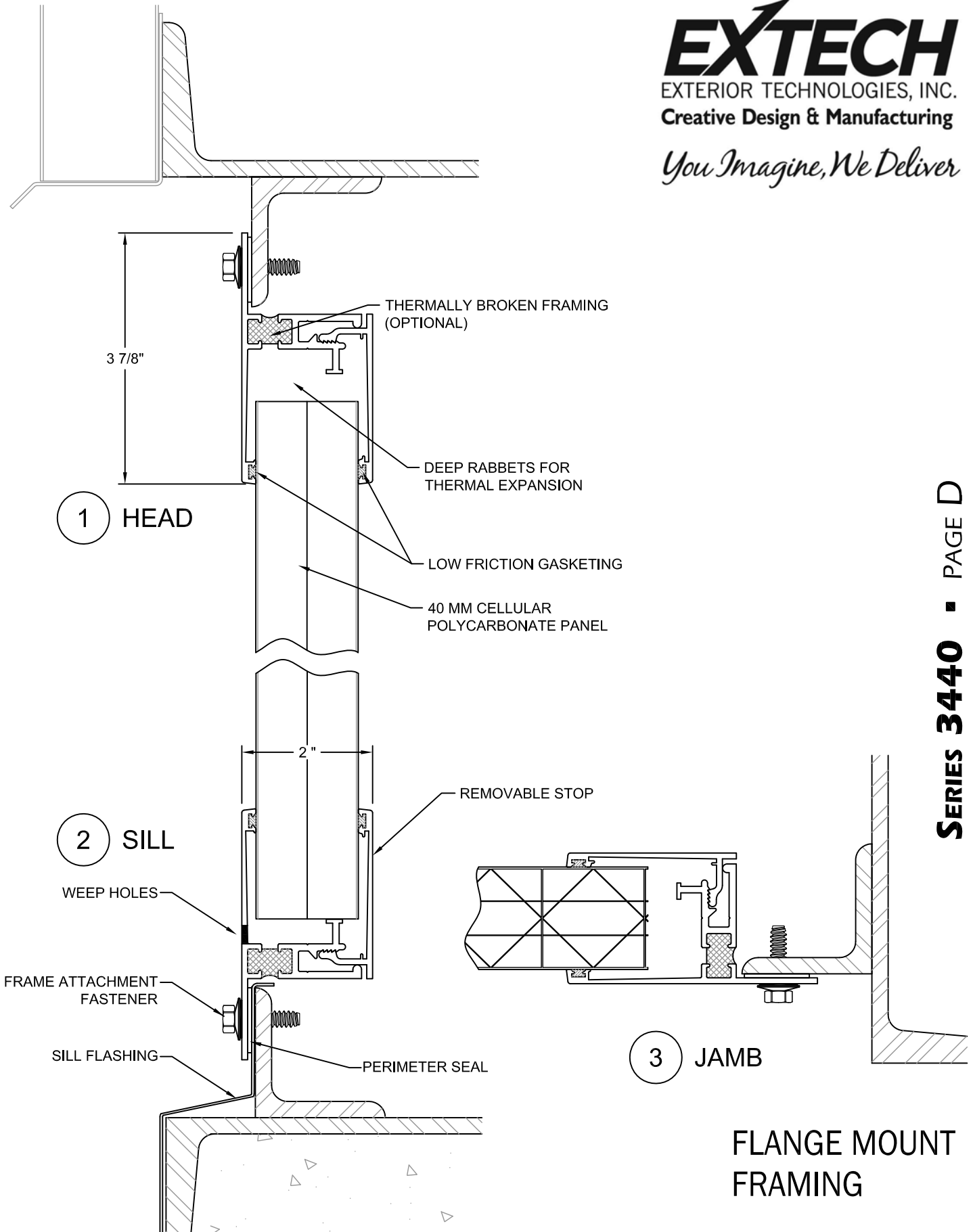
**SERIES 3440** ■ PAGE A



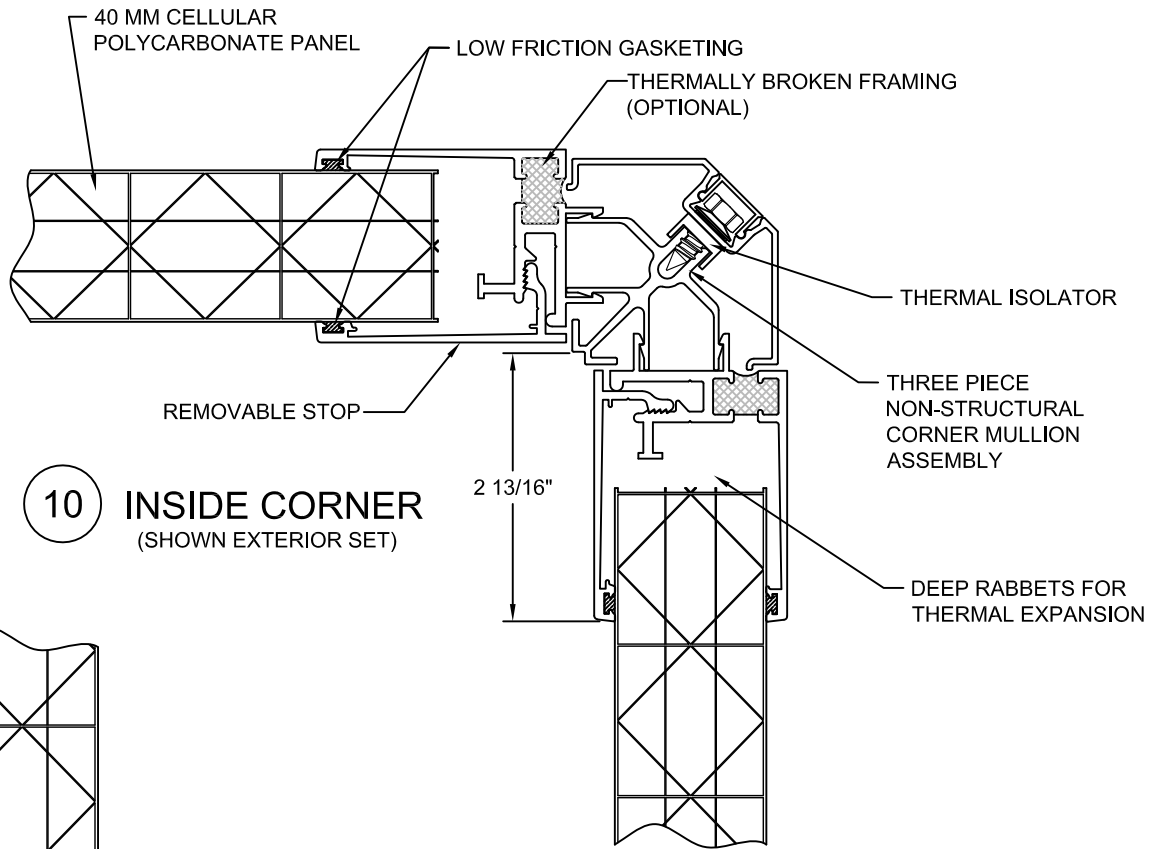
**EXTERIOR SET  
 FRAMING**



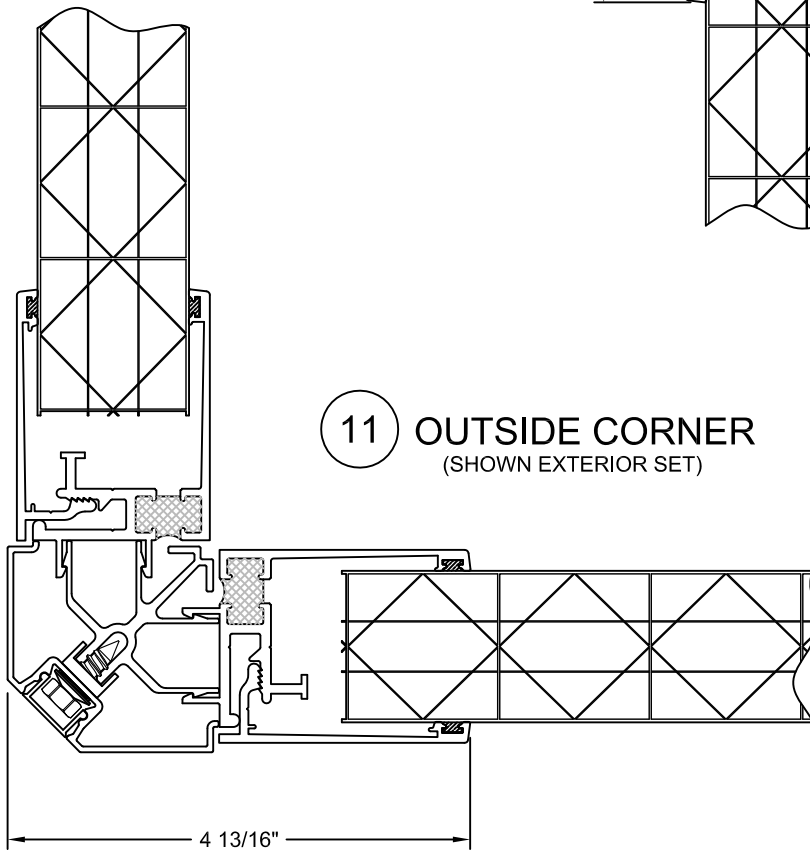
**INTERIOR SET  
 FRAMING**



**FLANGE MOUNT  
 FRAMING**

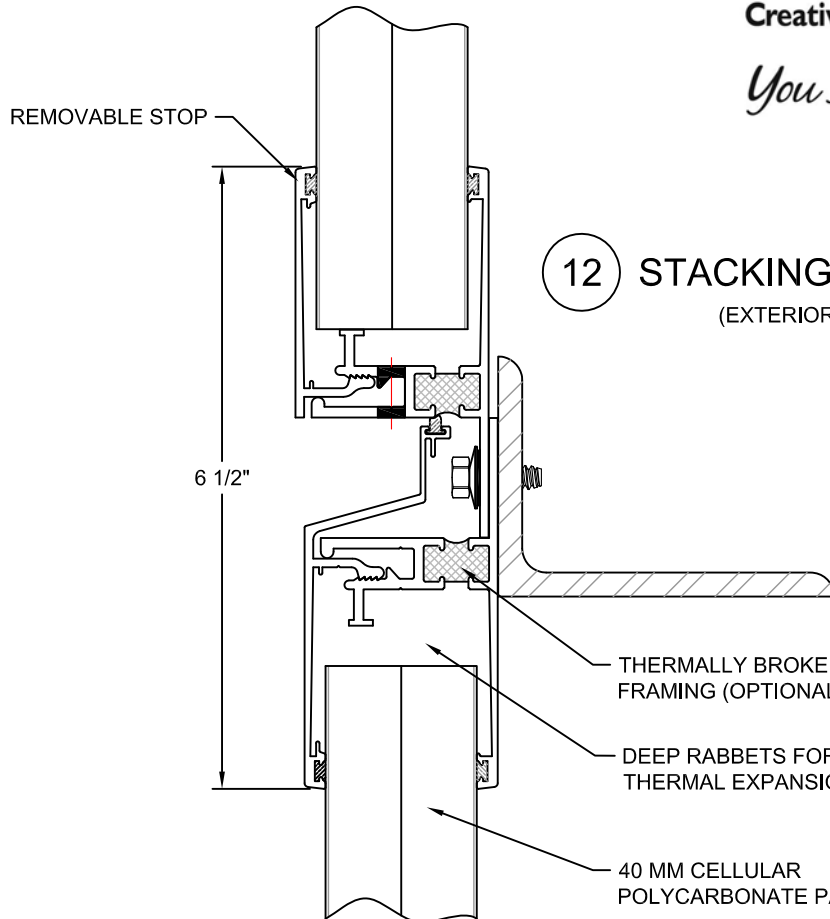


**10** INSIDE CORNER  
 (SHOWN EXTERIOR SET)

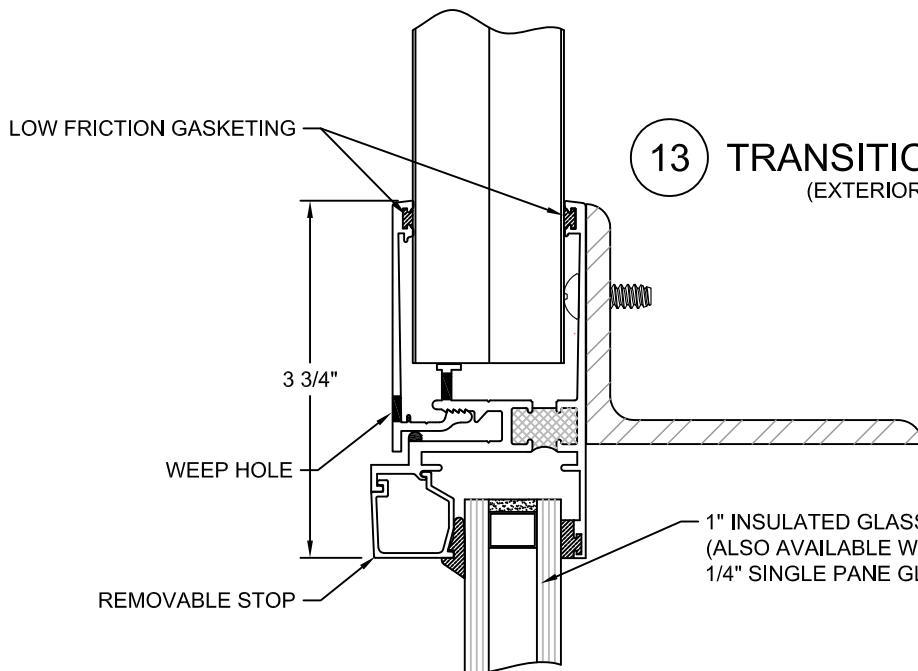


**11** OUTSIDE CORNER  
 (SHOWN EXTERIOR SET)

MISC. DETAILS



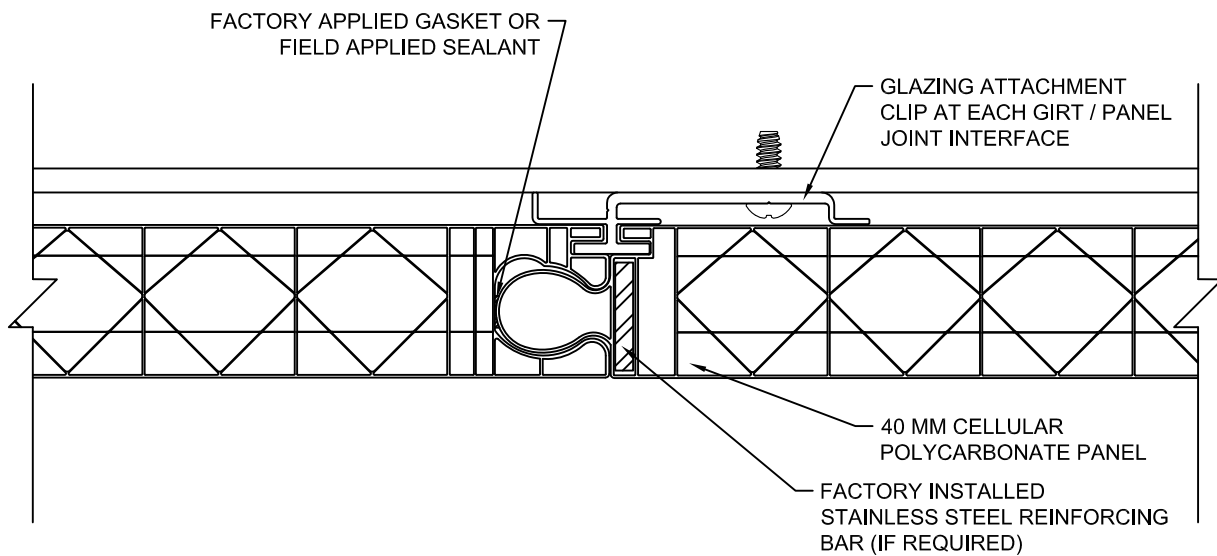
**12** STACKING HORIZONTAL  
 (EXTERIOR SET ONLY)



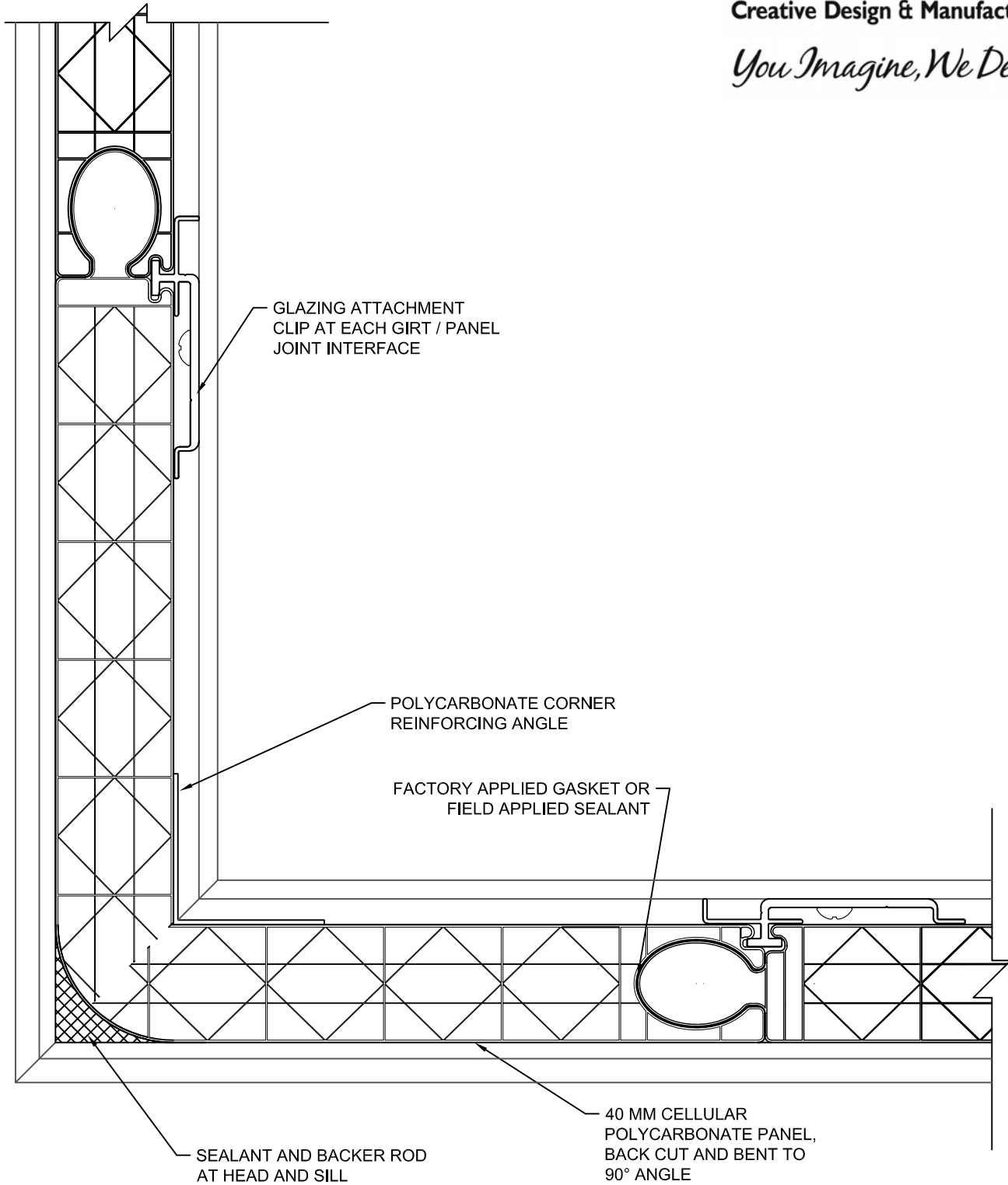
**13** TRANSITION HORIZONTAL  
 (EXTERIOR SET ONLY)

**SERIES 3440** ■ PAGE F

**MISC. DETAILS**



14 GLAZING PANEL JOINT



MISC. DETAILS