

# Series 3700 Monumental Skylight System

**EXTECH**  
EXTERIOR TECHNOLOGIES, INC.  
Creative Design & Manufacturing

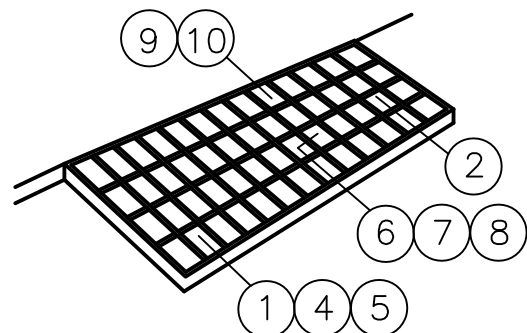
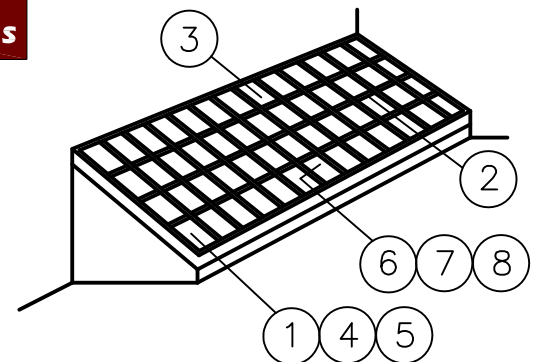
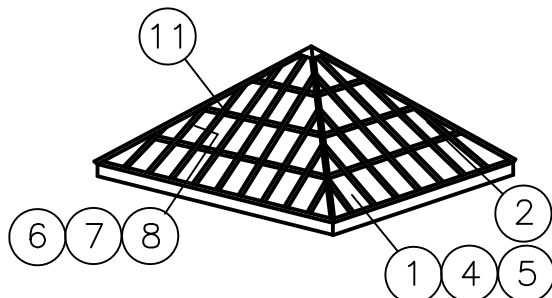
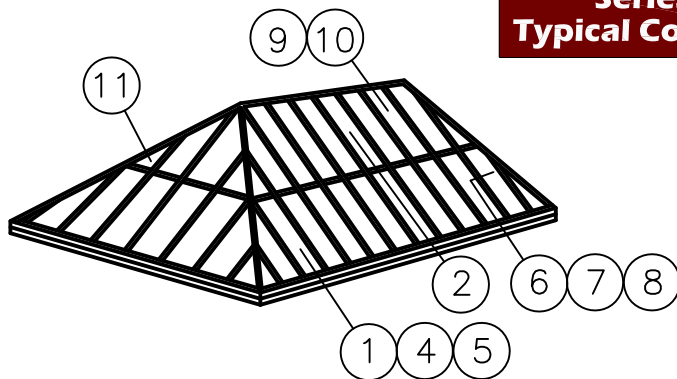
*You Imagine, We Deliver*

**SKYGARD®**, Monumental pressure equalized skylight system for use with thermoplastic or glass glazing

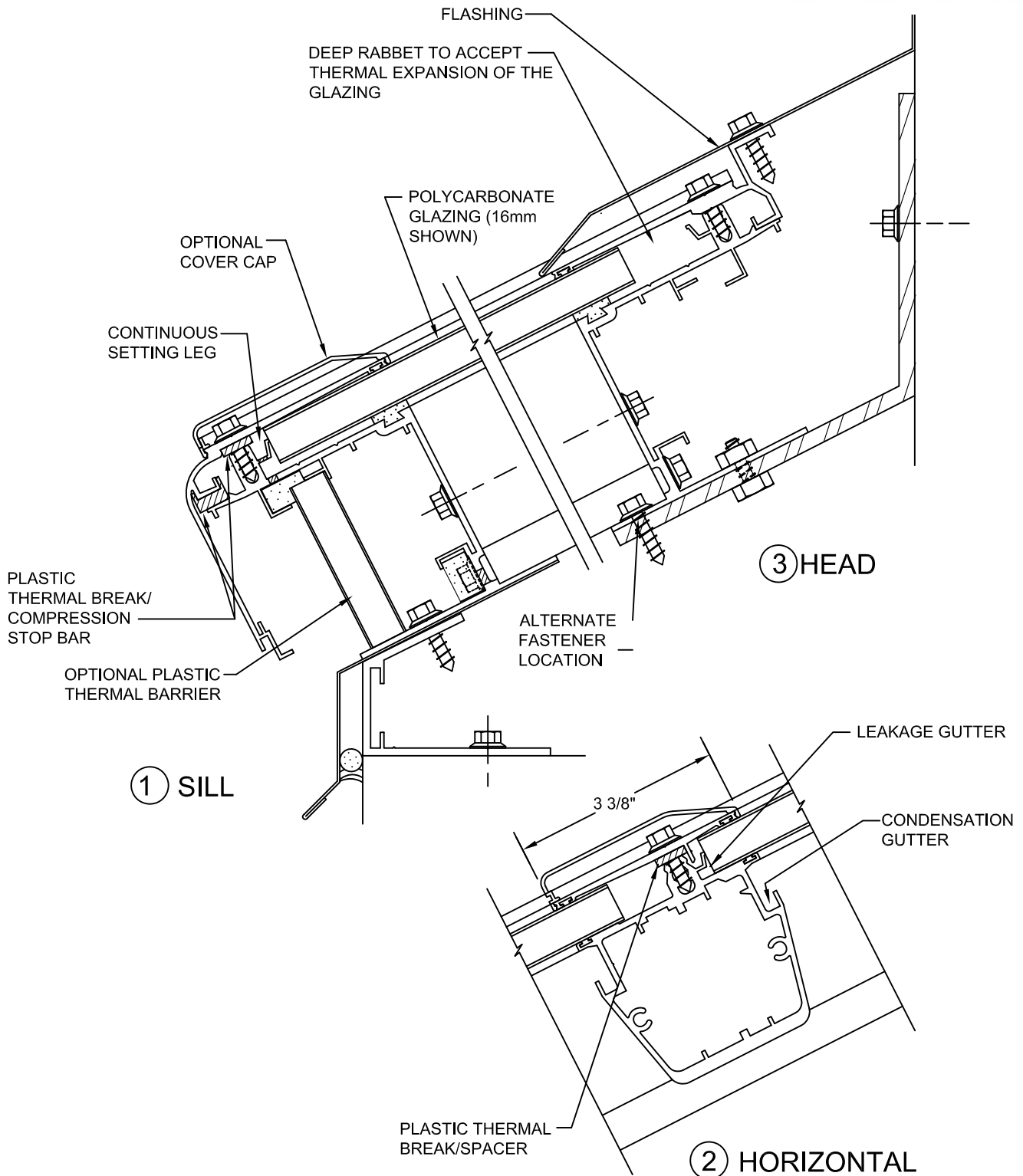
## FEATURING:

- Pressure equalized rain screen design for water control.
- Leakage and condensation water are controlled within the system by separate guttering and weep holes.
- Plastic spacers for thermal improvement of the system as well as positive stops to control gasket pressure.
- Glazing gaskets have a low coefficient of friction surface to allow for thermal movement of the glazing.
- Overlapping aluminum framing members at intersections for superior air and water resistance.
- Extruded setting leg to promote interior venting of cellular thermoplastics.
- Curving capability down to 4' radius.
- Rounded interior framing for pleasing aesthetic appearance.

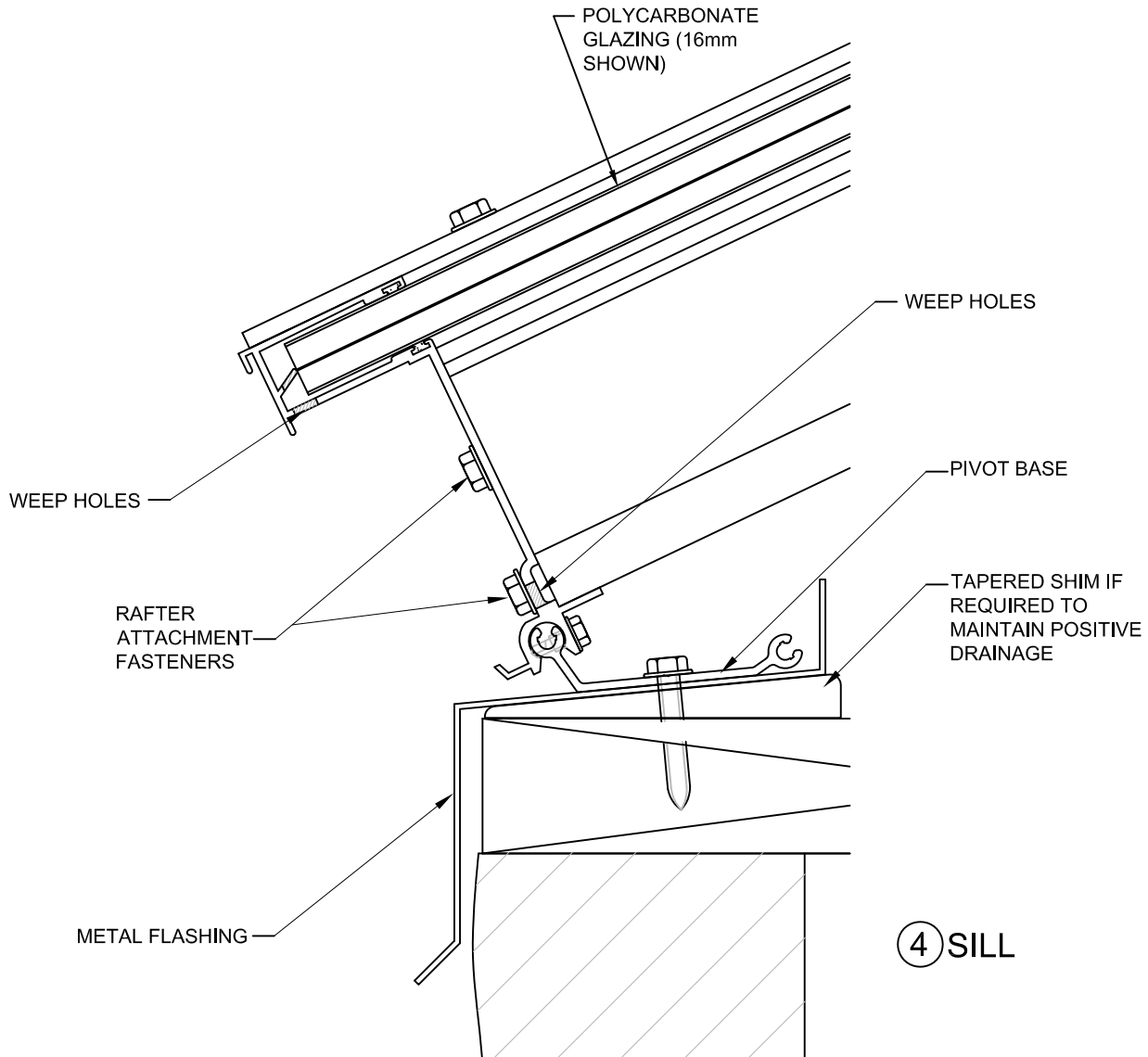
### Series 3700 Typical Configurations

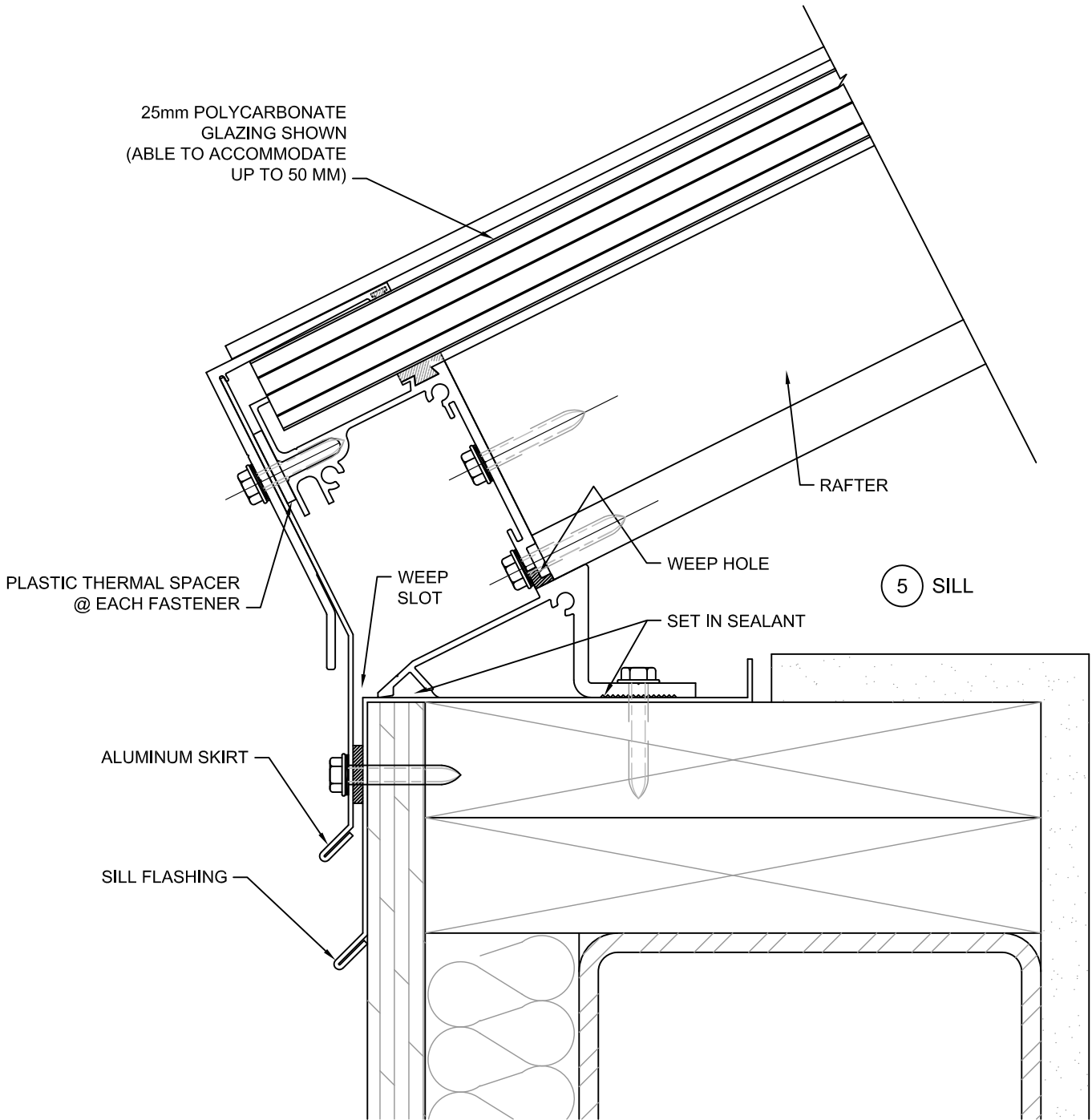


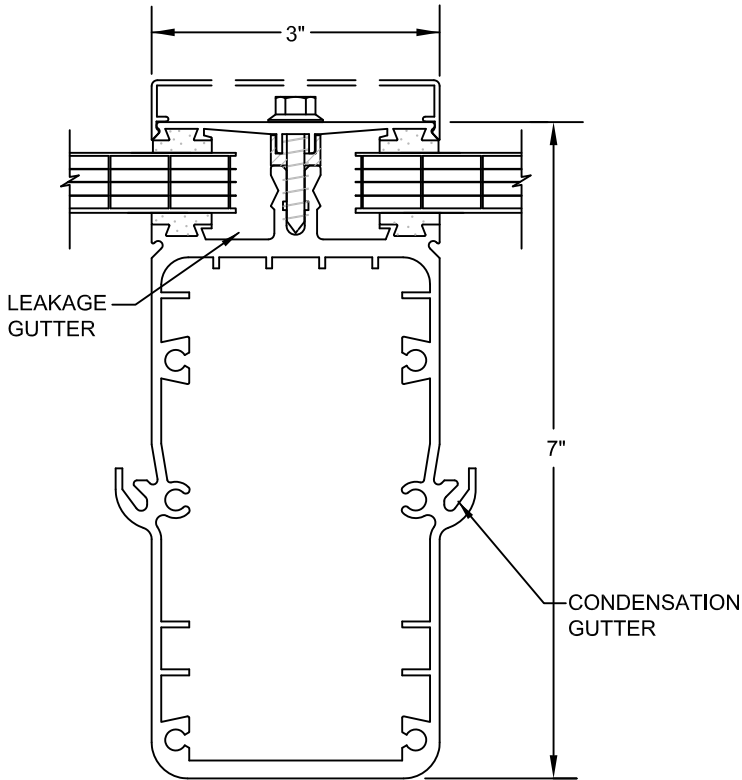
*You Imagine, We Deliver*



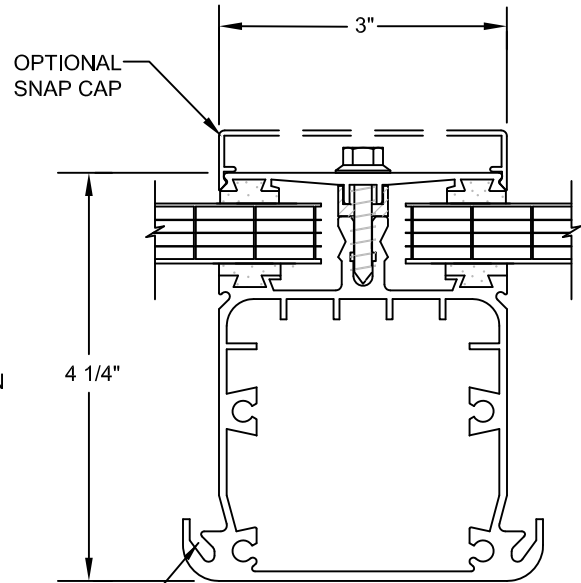
**SERIES 3700 ■ PAGE B**



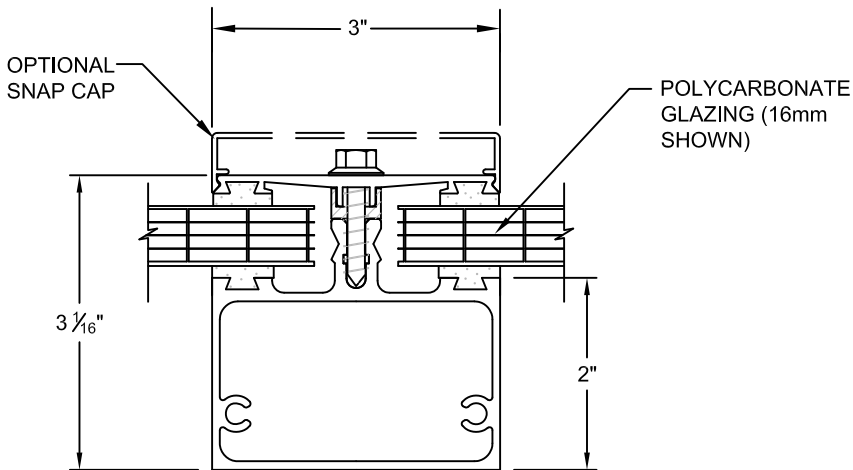




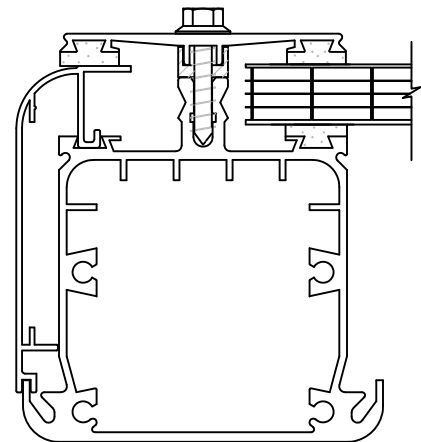
⑥ LONG SPAN  
 VERTICAL RAFTER



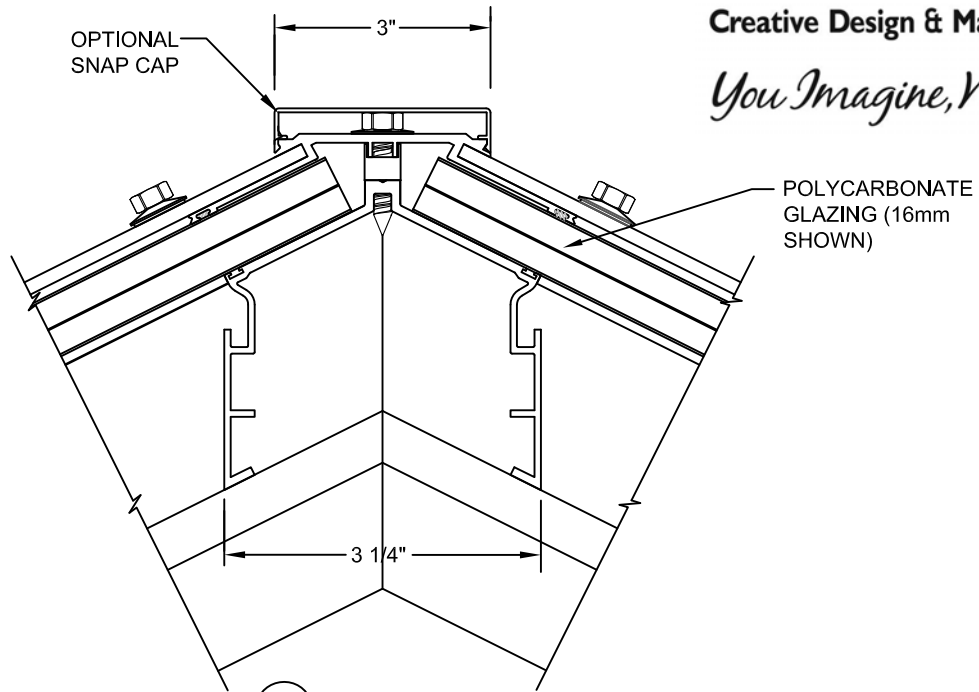
⑦ STANDARD  
 VERTICAL RAFTER



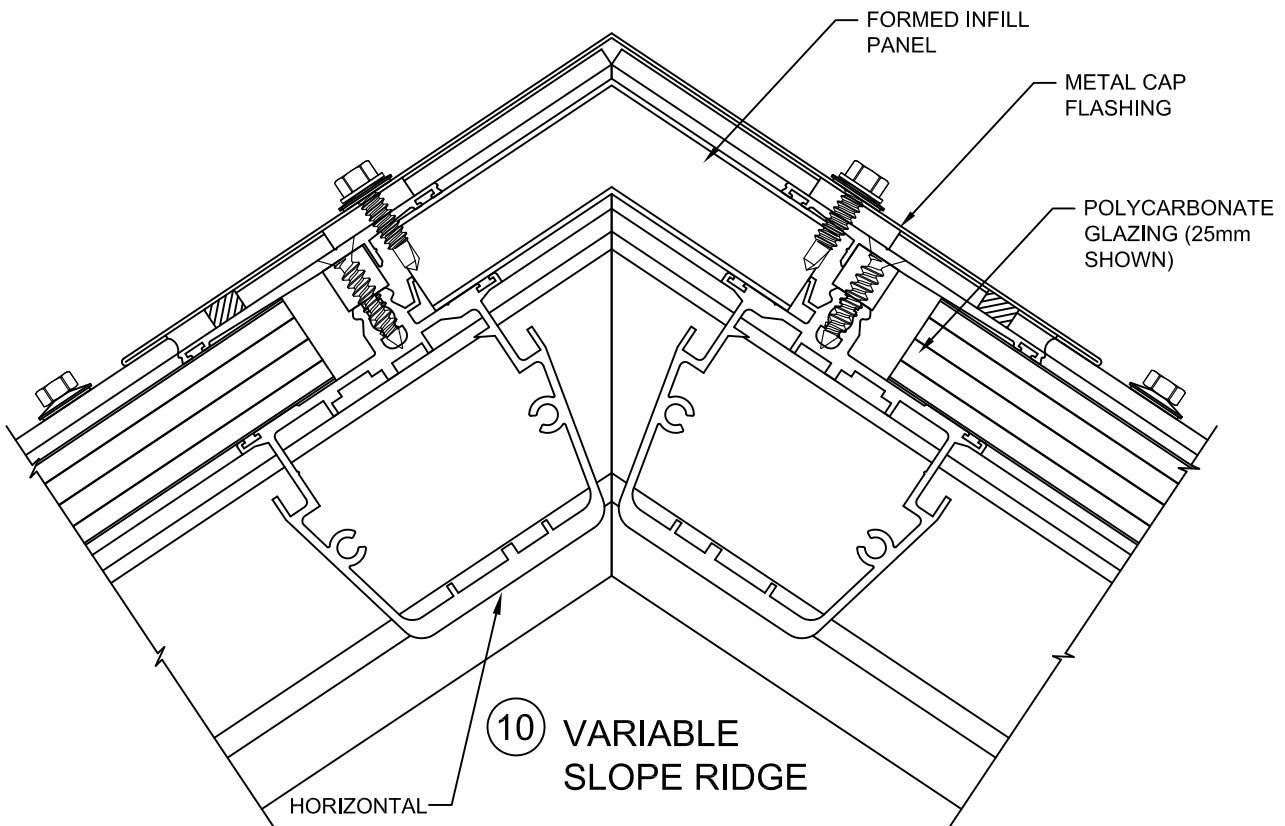
⑧ SHORT SPAN  
 VERTICAL RAFTER



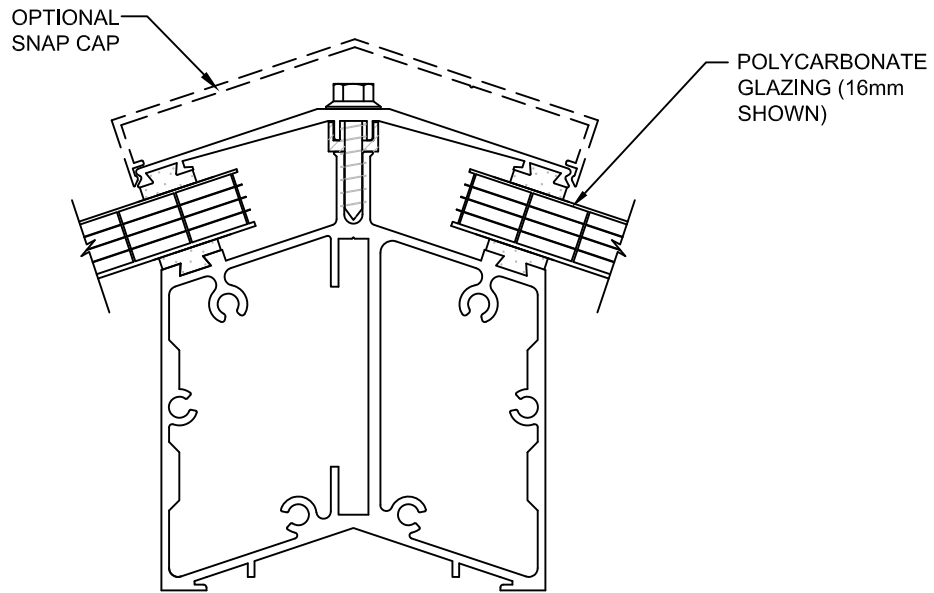
OPTIONAL VERTICAL  
 EDGE CLOSURE



9 RIDGE  
 6/12 SLOPE



10 VARIABLE  
 SLOPE RIDGE



①① HIP RAFTER  
6:12 SLOPE