

CANOPIES (Non-Thermally Broken) SERIES 3100 Standing Seam Polycarbonate



This unique system offers daylighting, high insulation value, UV screening and resistance to abuse, all in one low-cost package

Features

- Panels are nominally 2ft. wide and are available in lengths to 39ft. Continuous polycarbonate battens snap over the panel edges to form the seams.
- Natural lighting is diffused by the cell structure of the EXTECH panels. Glass beads are coextruded within the Resin to further enhance light diffusion and to give an iridescent look.
- All aluminum framing is fitted with low-friction gasketing and deep glazing pockets which capture and hold the polycarbonate sheets, yet allow thermal movement of the panels with minimum noise.
- Perimeter framing is engineered with interlocking components to allow future access to individual panels.
- Standing seam system eliminates the need for vertical aluminum mullions, creating a monolithic appearance and lowering costs when compared to conventional daylighting systems.
- The patented #3100 type-1 clip, which anchors the sheets to the structure, allows the thermal movement of the PCSS sheets to take place within the clip, thus minimizing noise and wear.
- Perimeter aluminum framing is available in anodized or high performance paint finishes and is thermally broken.

Glazing Information

16mm (5/8") or 20mm (3/4") translucent cellular polycarbonate with standing seam joint connection.

Performance Testing

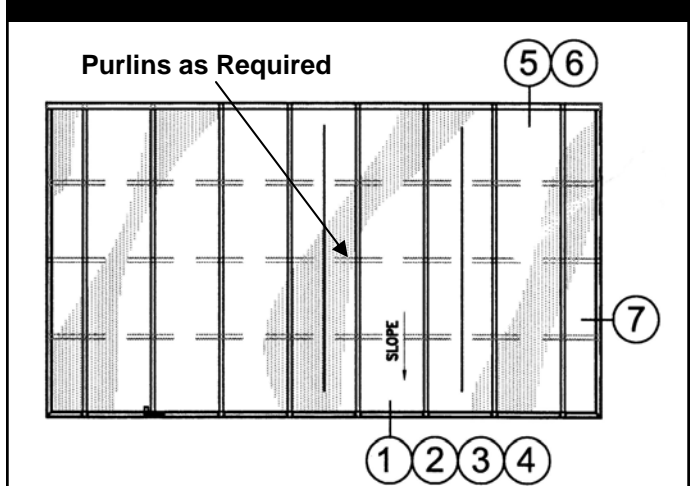
Flammability:

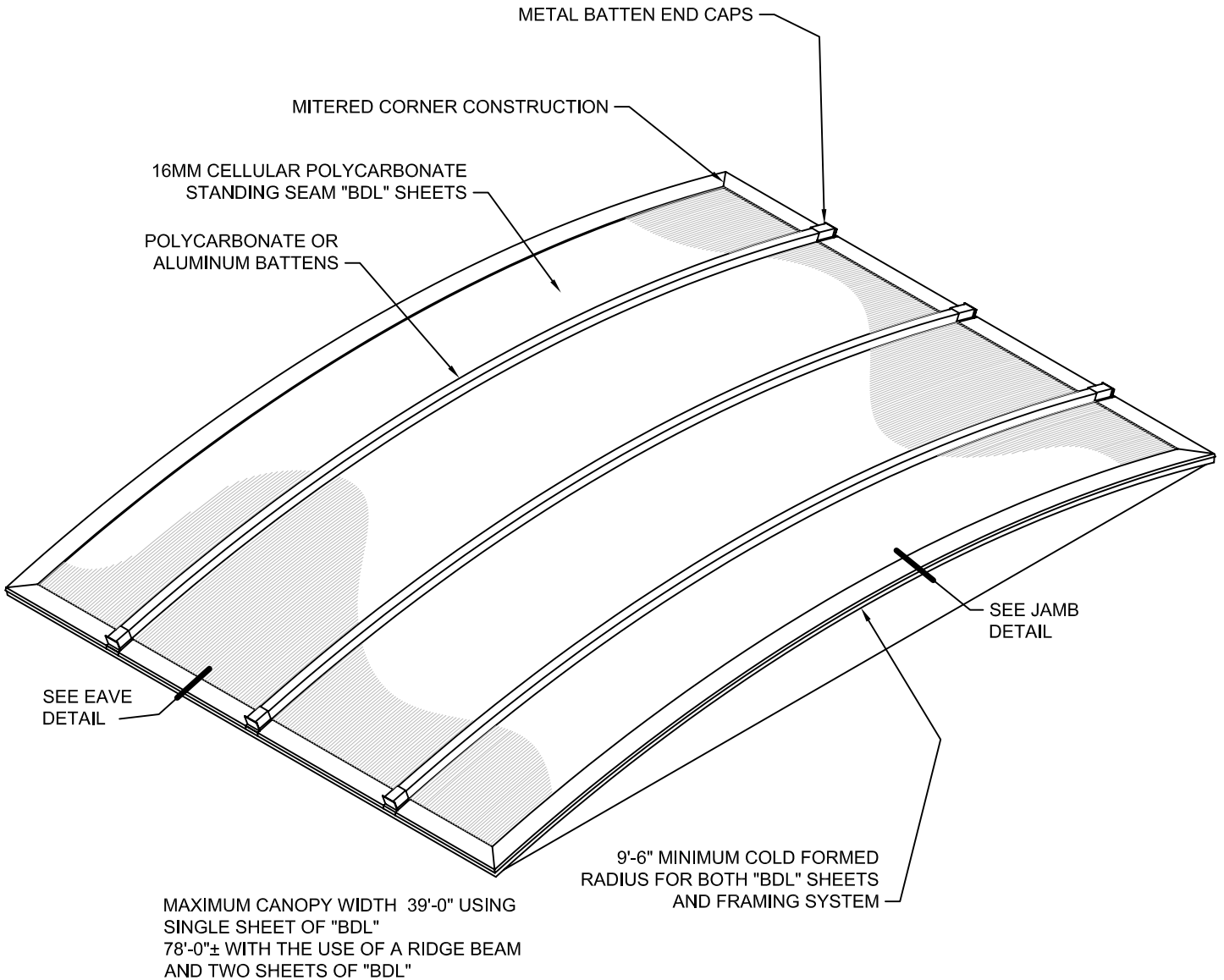
- Self Ignition: ASTM 1929-3
- Smoke Density of Plastic: ASTM D-2843
- Burning Extent: ASTM D-635
- Interior Flame Spread: ASTM E-84

Other:

- Weathering Evaluation: ASTM D-4364-84
- Color Change: ASTM D-2244
- Yellowing Index: ASTM D-1925
- Light Transmission: ASTM D-1003
- Water Penetration: ASTM E-331
- Air Infiltration: ASTM E-283
- Impact: ASTM E-822-81
- "U" Factor: ASTM C-518
- Shading Coefficient ASTM/ASHRAE
- New York City MEA

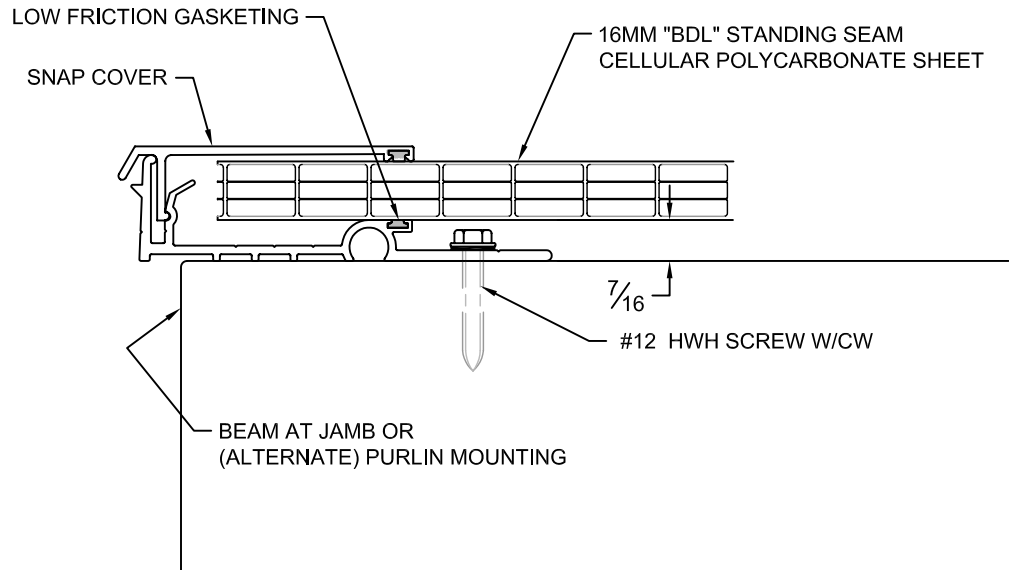
SERIES 3100 TYPICAL CONFIGURATION



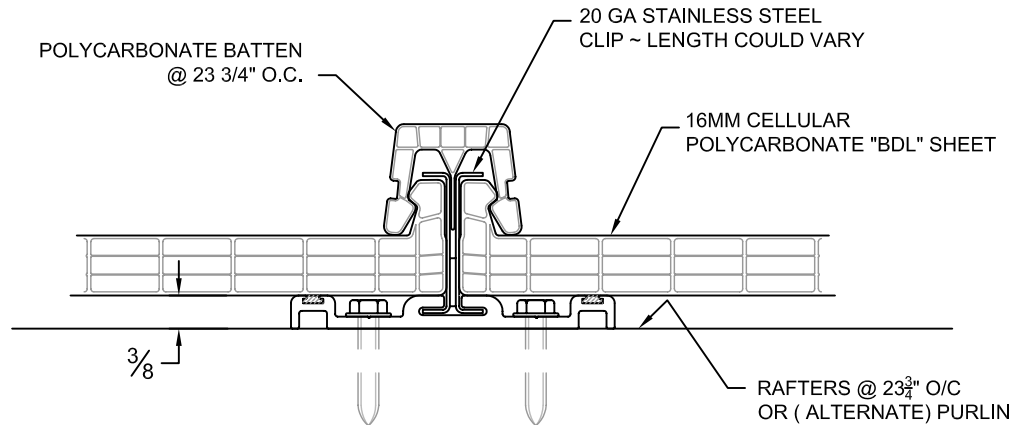


TYPICAL CURVED CANOPY ASSEMBLY

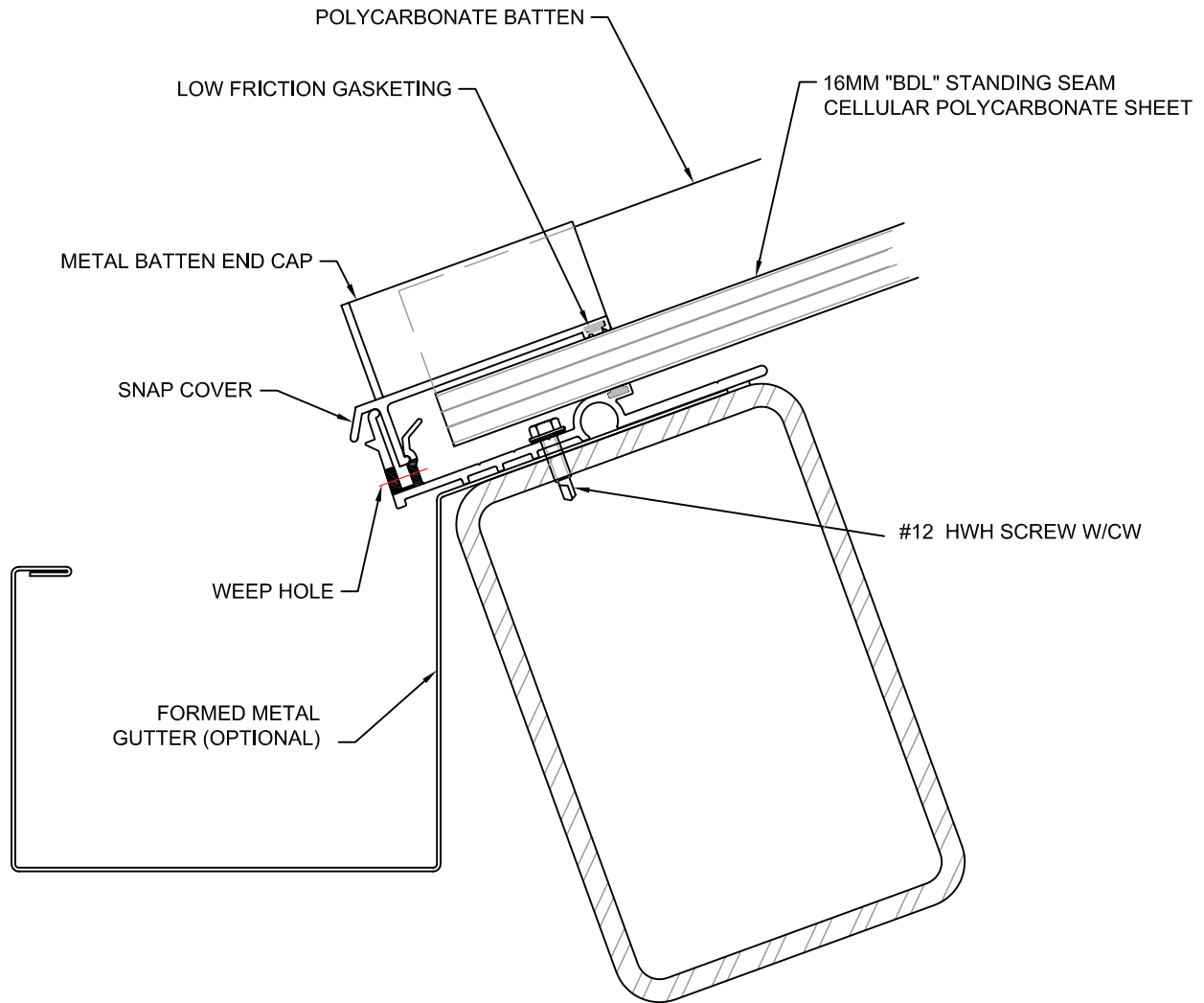
ALL OTHER DETAILS APPLY
FOR FLAT CANOPIES



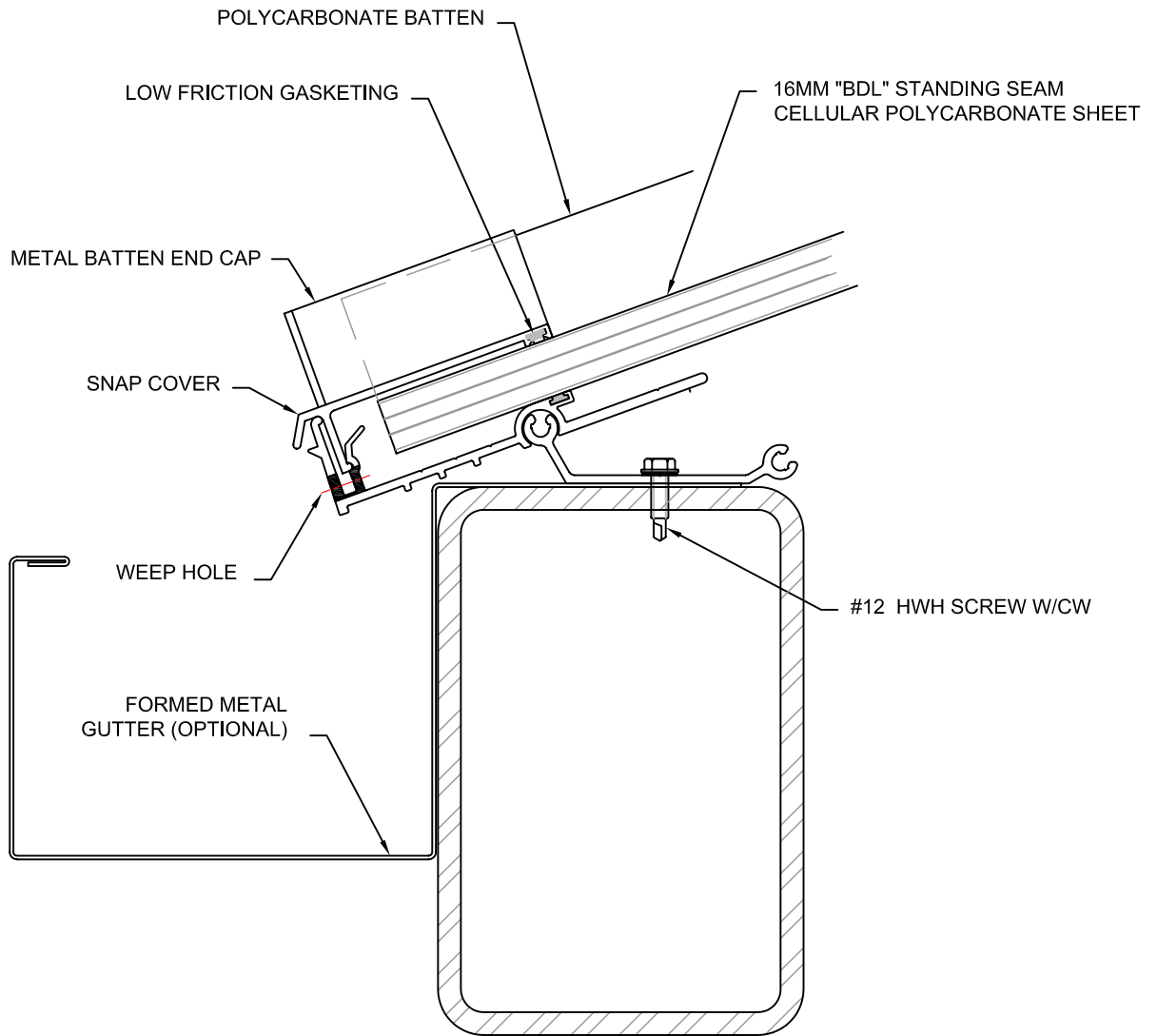
TYPICAL JAMB DETAIL



DETAIL OF TYPE 1 CLIP



EAVE DETAIL



EAVE DETAIL