

EXTECH/Exterior Technologies, Inc.
Confidential and Proprietary Information

The information contained herein is confidential, proprietary, technical and business information of EXTECH Exterior Technologies, Inc. Any copying of this information or the use thereof without the expressed written permission of EXTECH Exterior Technologies, Inc. is prohibited.

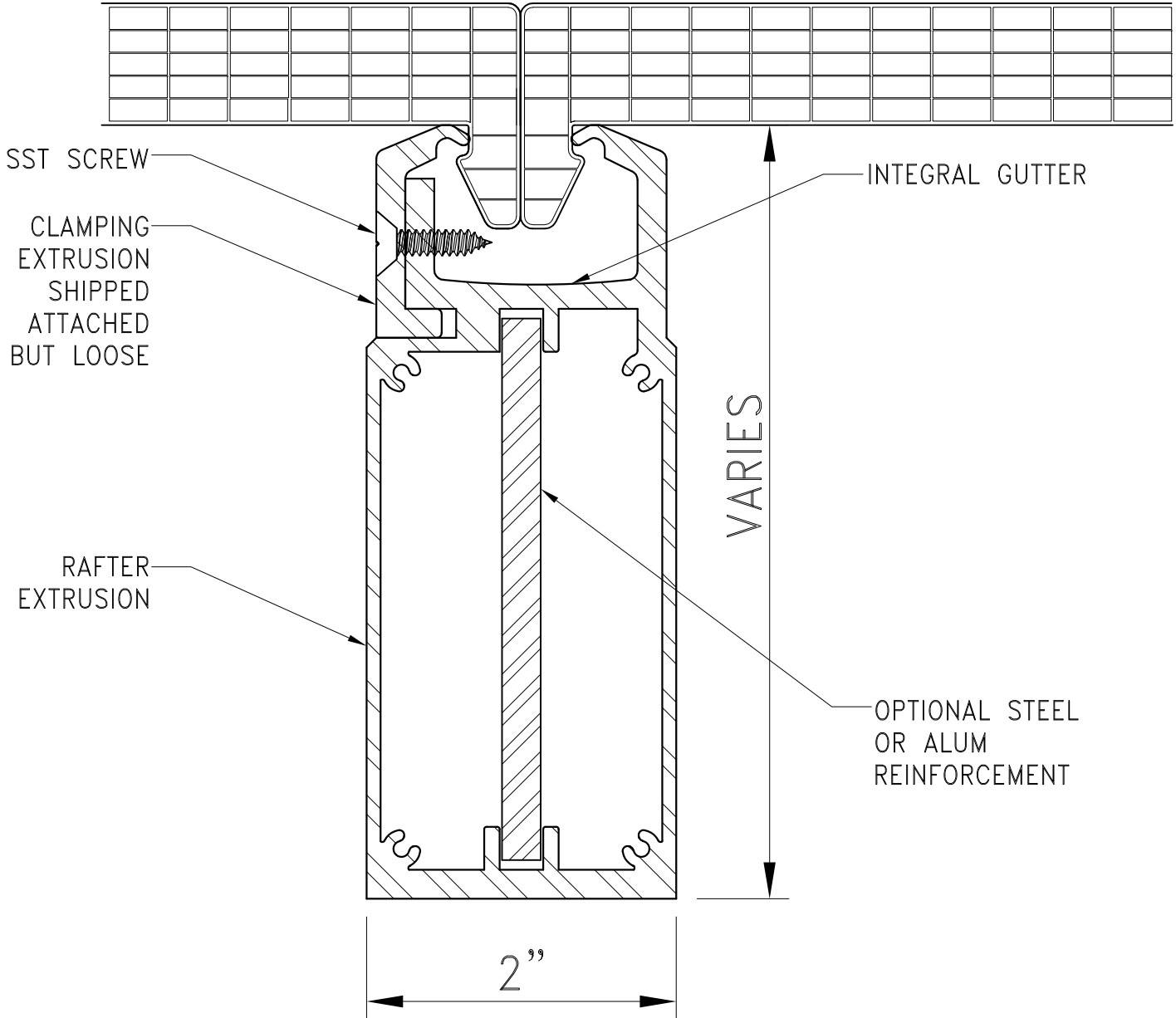
EXTECH

EXTERIOR TECHNOLOGIES, INC.

Creative Design & Manufacturing

You Imagine, We Deliver

8000 SkyShade



Sketch

SK-01

Rafter

3-22-18

EXTECH/Exterior Technologies, Inc.
Confidential and Proprietary Information

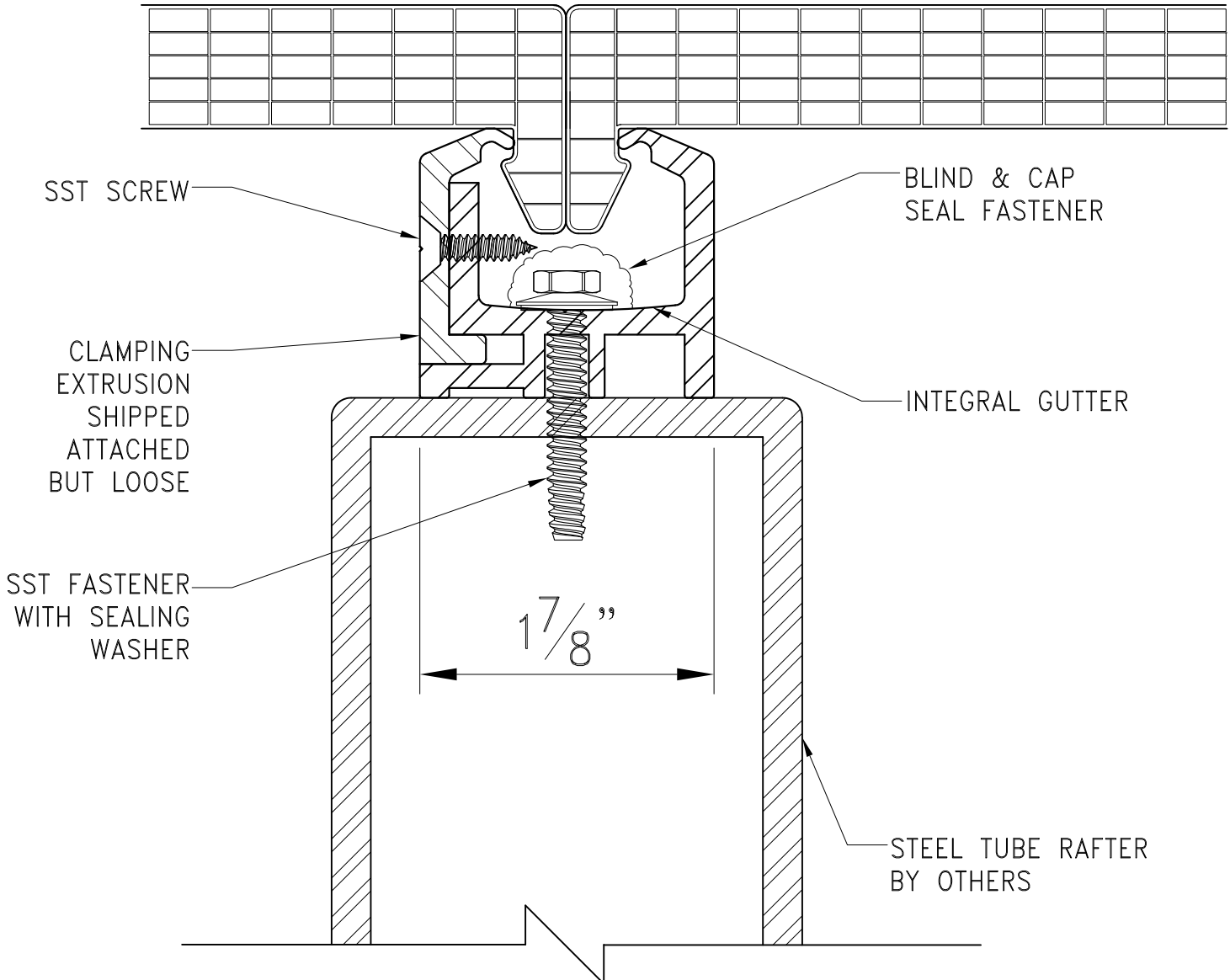
The information contained herein is confidential, proprietary, technical and business information of EXTECH Exterior Technologies, Inc. Any copying of this information or the use thereof without the expressed written permission of EXTECH Exterior Technologies, Inc. is prohibited.

EXTECH

EXTERIOR TECHNOLOGIES, INC.
Creative Design & Manufacturing

You Imagine, We Deliver

8000 SkyShade



Sketch

SK-01A

Overlay Rafter

3-22-18

EXTECH/Exterior Technologies, Inc.
Confidential and Proprietary Information

The information contained herein is confidential, proprietary, technical and business information of EXTECH Exterior Technologies, Inc. Any copying of this information or the use thereof without the expressed written permission of EXTECH Exterior Technologies, Inc. is prohibited.

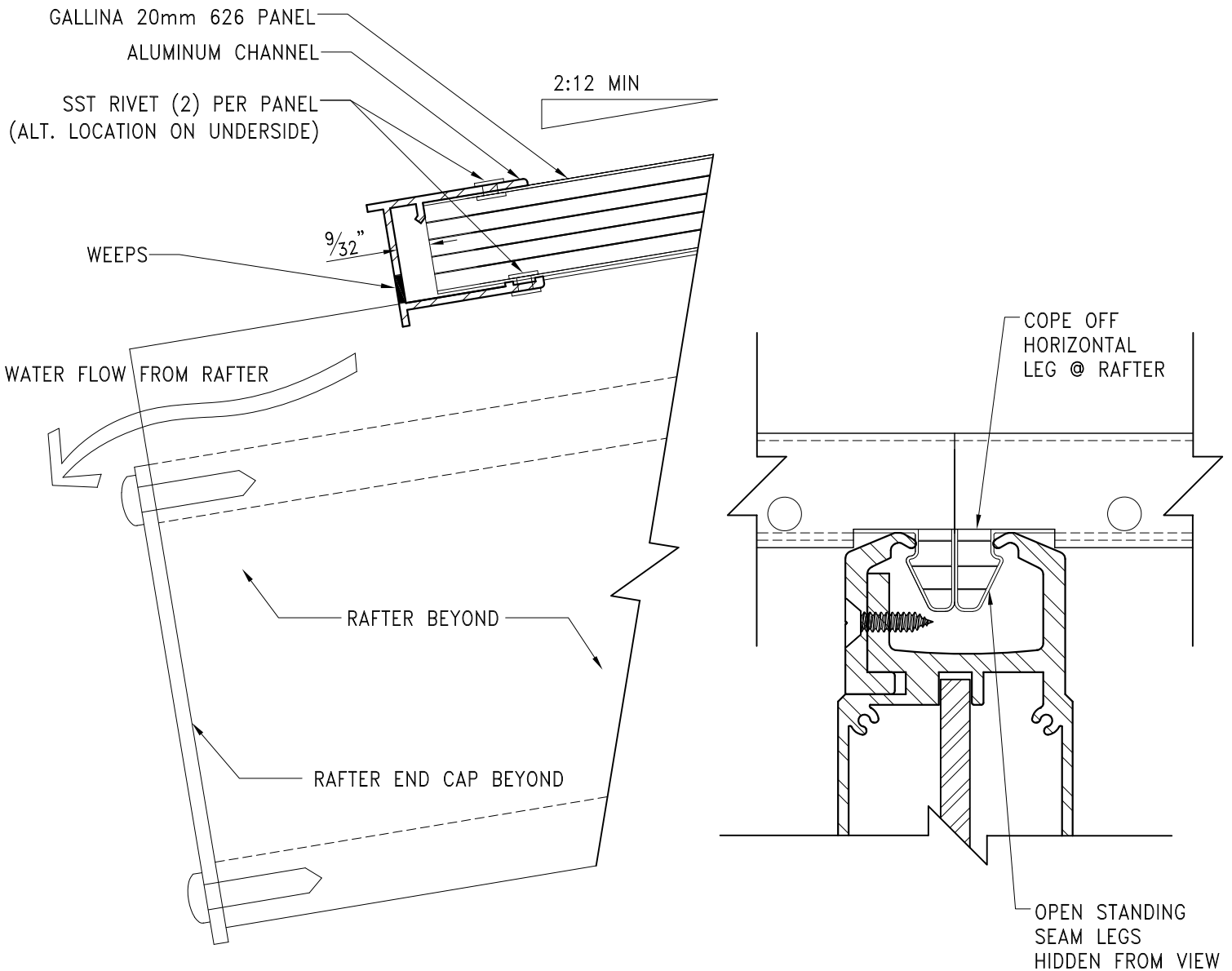
EXTECH

EXTERIOR TECHNOLOGIES, INC.

Creative Design & Manufacturing

You Imagine, We Deliver

8000 SkyShade



Sketch

SK-02

Sill Without Gutter

3-22-18

EXTECH/Exterior Technologies, Inc.
Confidential and Proprietary Information

The information contained herein is confidential, proprietary, technical and business information of EXTECH Exterior Technologies, Inc. Any copying of this information or the use thereof without the expressed written permission of EXTECH Exterior Technologies, Inc. is prohibited.

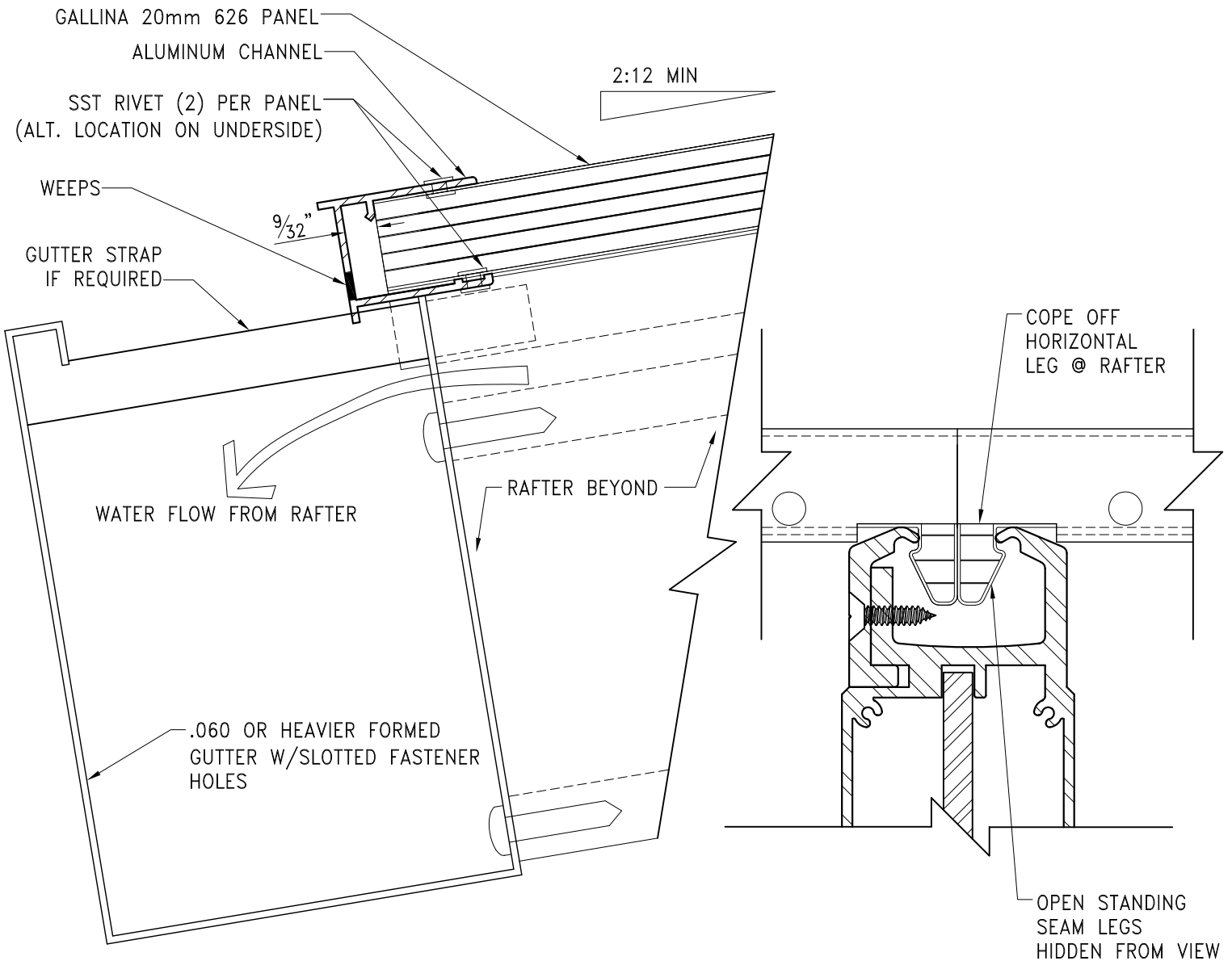
EXTECH

EXTERIOR TECHNOLOGIES, INC.

Creative Design & Manufacturing

You Imagine, We Deliver

8000 SkyShade



Sketch

SK-02A

Sill With Gutter

3-22-18

EXTECH/Exterior Technologies, Inc.
Confidential and Proprietary Information

The information contained herein is confidential, proprietary, technical and business information of EXTECH Exterior Technologies, Inc. Any copying of this information or the use thereof without the expressed written permission of EXTECH Exterior Technologies, Inc. is prohibited.

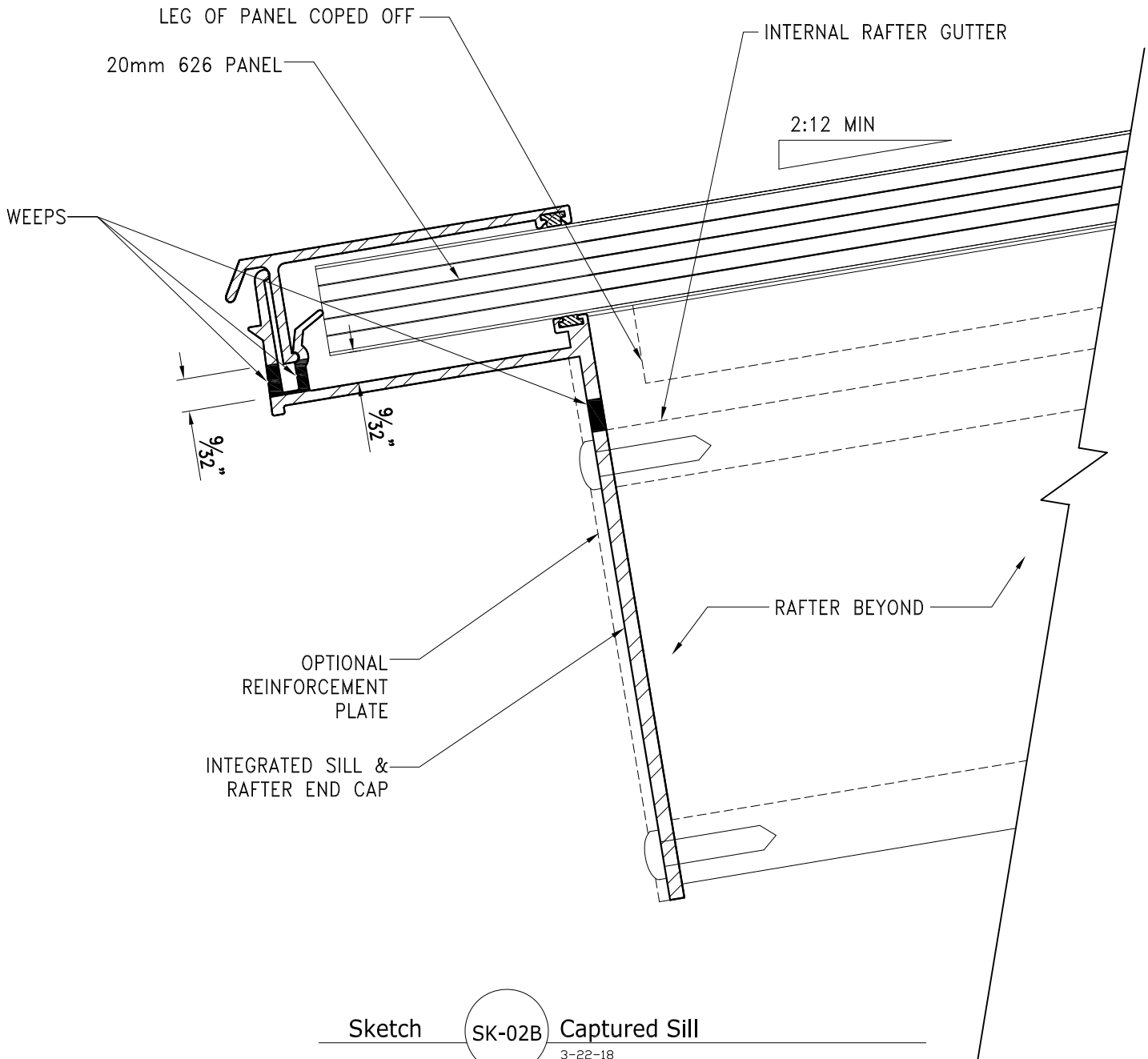
EXTECH

EXTERIOR TECHNOLOGIES, INC.

Creative Design & Manufacturing

You Imagine, We Deliver

8000 SkyShade



EXTECH/Exterior Technologies, Inc.
Confidential and Proprietary Information

The information contained herein is confidential, proprietary, technical and business information of EXTECH Exterior Technologies, Inc. Any copying of this information or the use thereof without the expressed written permission of EXTECH Exterior Technologies, Inc. is prohibited.

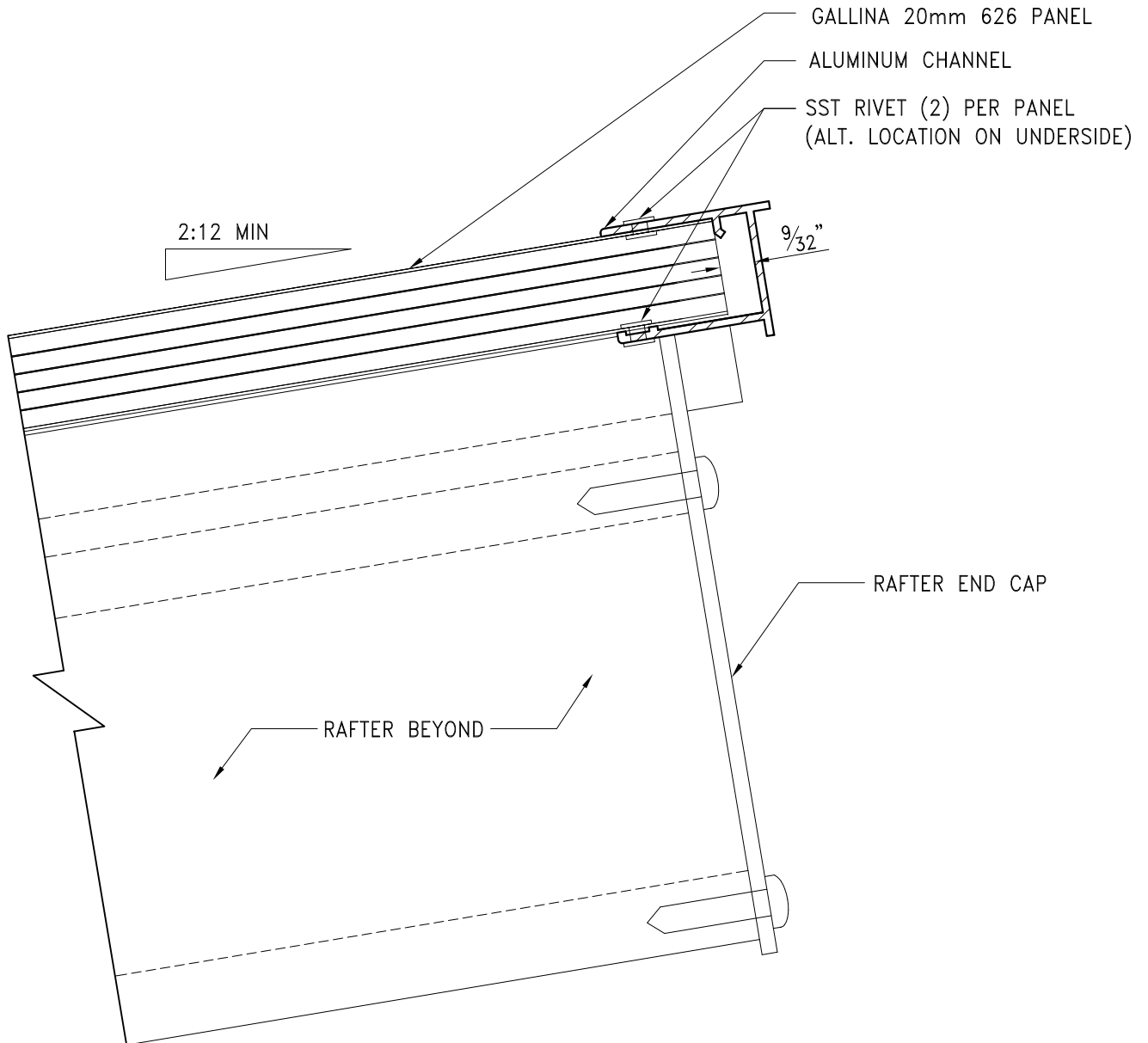
EXTECH

EXTERIOR TECHNOLOGIES, INC.

Creative Design & Manufacturing

You Imagine, We Deliver

8000 SkyShade



Sketch

SK-03

Head Even With Rafter

3-22-18

EXTECH/Exterior Technologies, Inc.
Confidential and Proprietary Information

The information contained herein is confidential, proprietary, technical and business information of EXTECH Exterior Technologies, Inc. Any copying of this information or the use thereof without the expressed written permission of EXTECH Exterior Technologies, Inc. is prohibited.

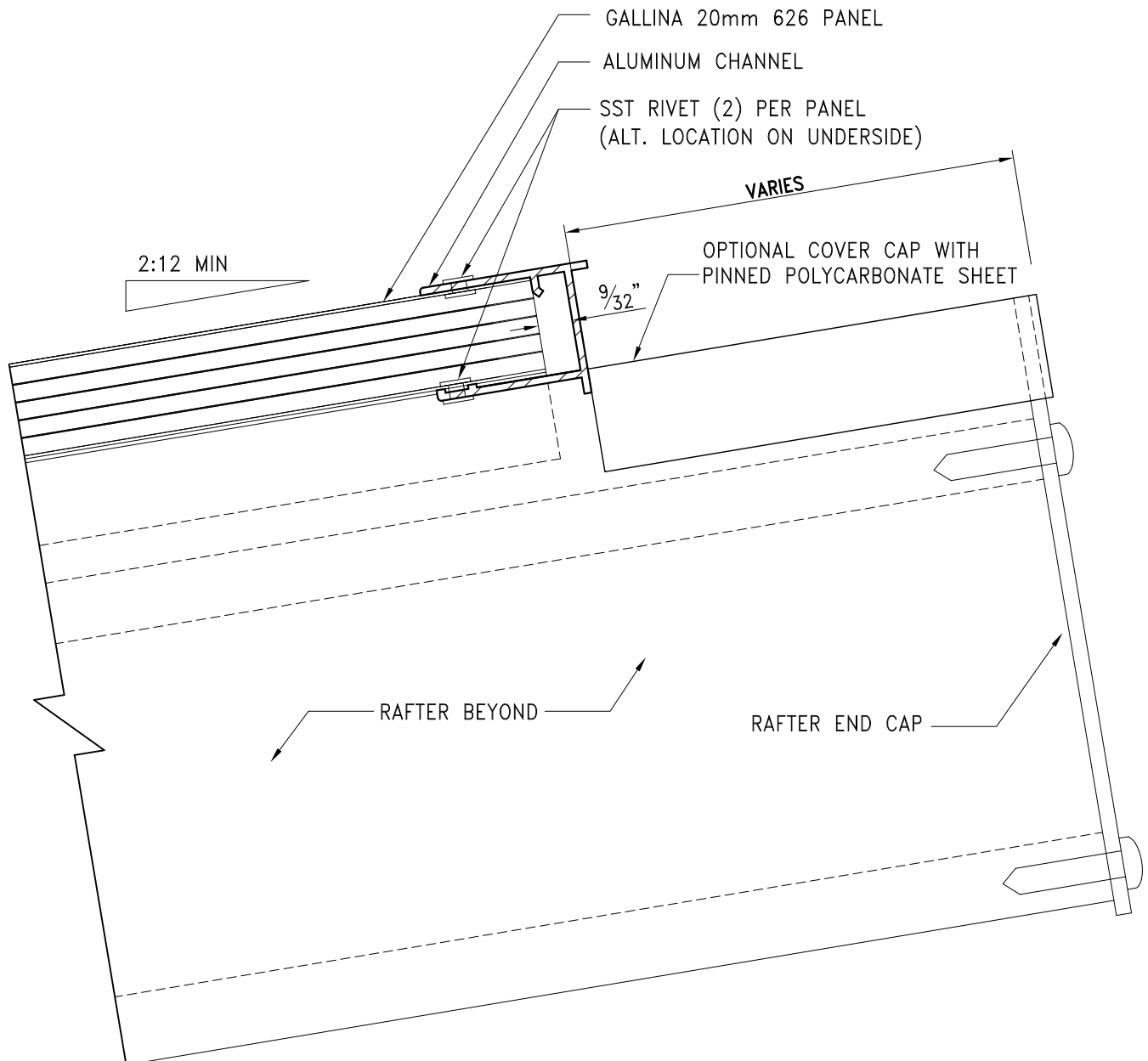
EXTECH

EXTERIOR TECHNOLOGIES, INC.

Creative Design & Manufacturing

You Imagine, We Deliver

8000 SkyShade



Sketch

SK-03A

Head With Rafter Extension

3-22-18

EXTECH/Exterior Technologies, Inc.
Confidential and Proprietary Information

The information contained herein is confidential, proprietary, technical and business information of EXTECH Exterior Technologies, Inc. Any copying of this information or the use thereof without the expressed written permission of EXTECH Exterior Technologies, Inc. is prohibited.

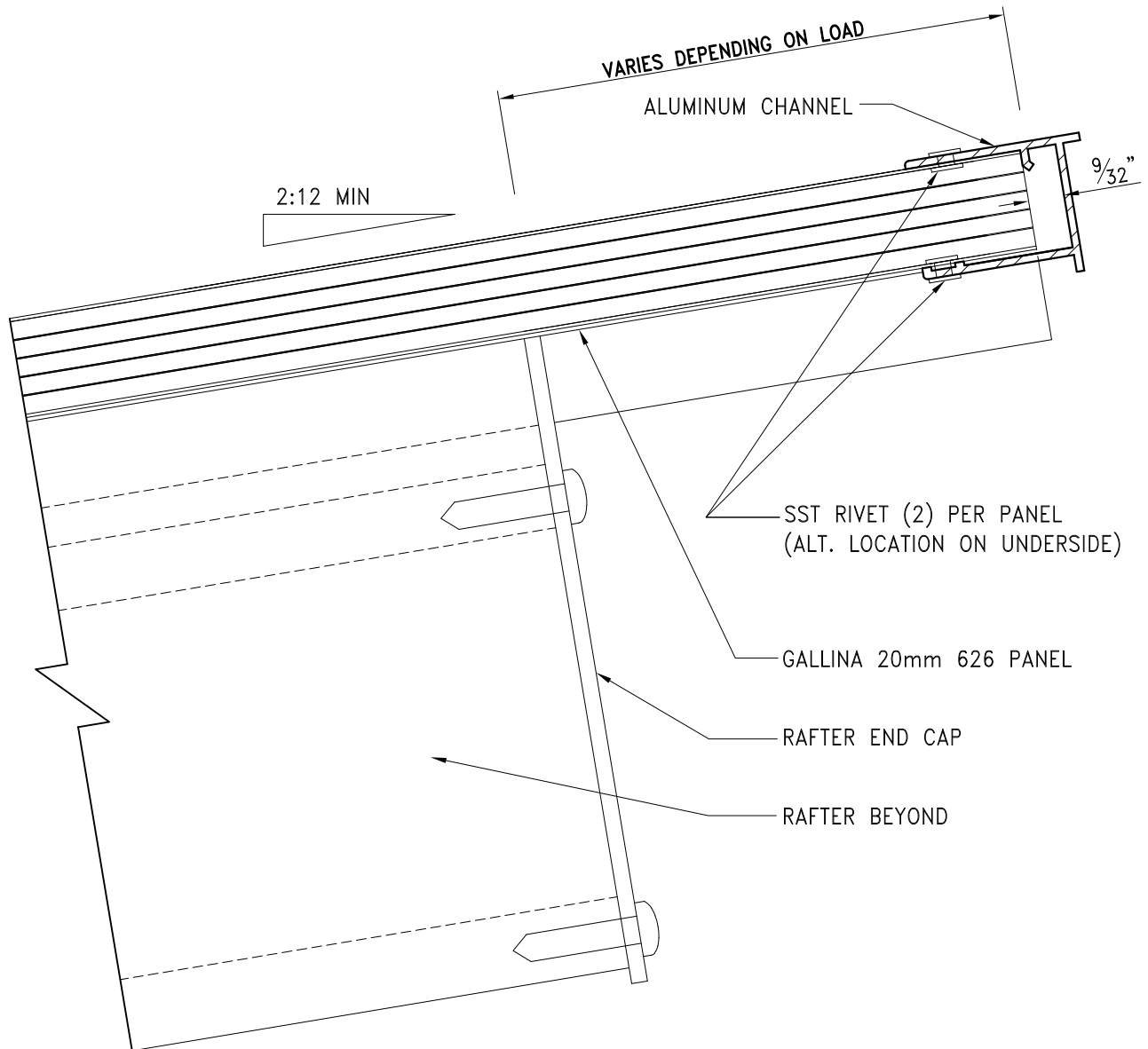
EXTECH

EXTERIOR TECHNOLOGIES, INC.

Creative Design & Manufacturing

You Imagine, We Deliver

8000 SkyShade



Sketch

SK-03B

Head With Glazing Extension

3-22-18

EXTECH/Exterior Technologies, Inc.
Confidential and Proprietary Information

The information contained herein is confidential, proprietary, technical and business information of EXTECH Exterior Technologies, Inc. Any copying of this information or the use thereof without the expressed written permission of EXTECH Exterior Technologies, Inc. is prohibited.

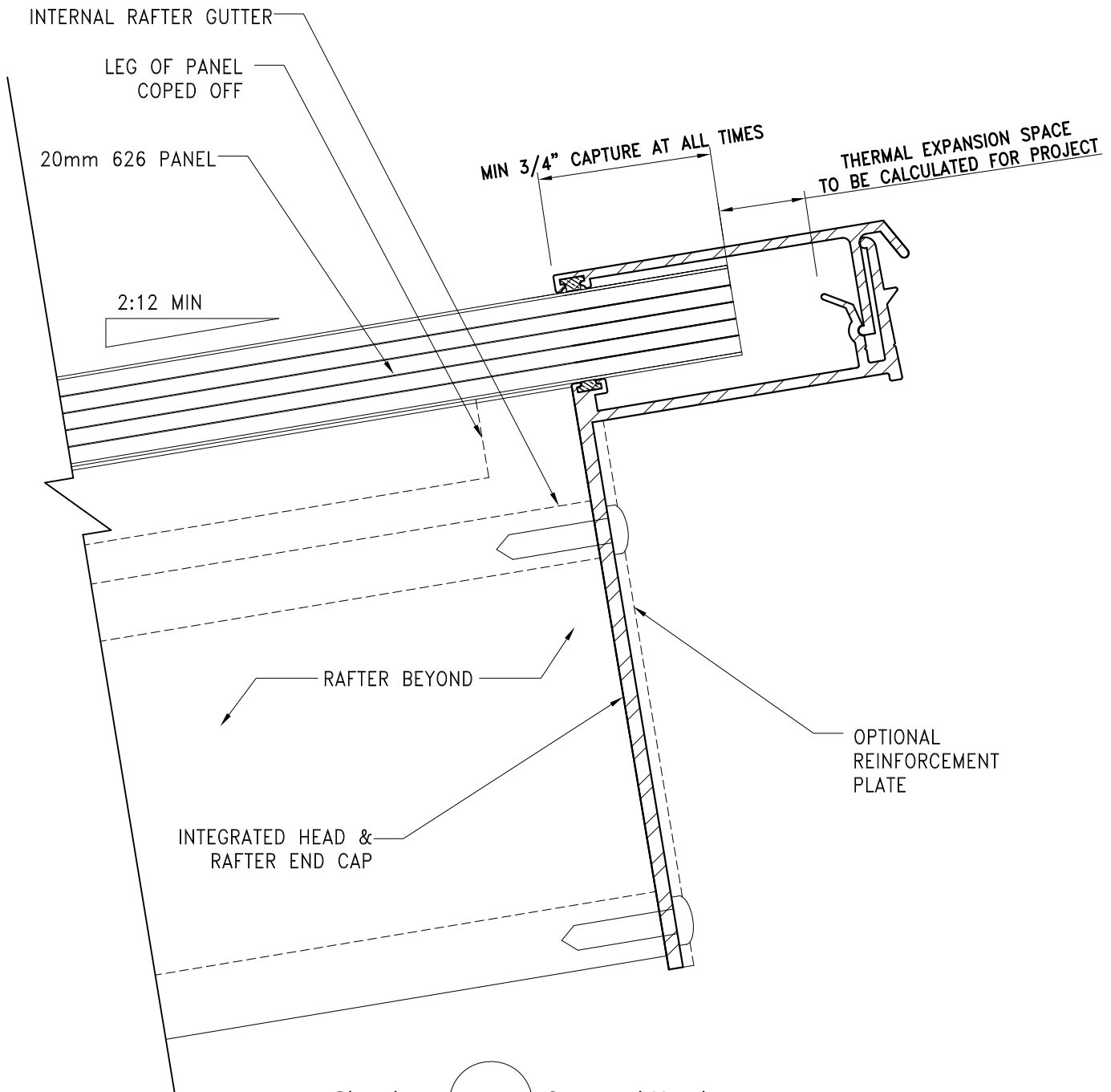
EXTECH

EXTERIOR TECHNOLOGIES, INC.

Creative Design & Manufacturing

You Imagine, We Deliver

8000 SkyShade



Sketch

SK-03C

Captured Head

3-22-18

EXTECH/Exterior Technologies, Inc.
Confidential and Proprietary Information

The information contained herein is confidential, proprietary, technical and business information of EXTECH Exterior Technologies, Inc. Any copying of this information or the use thereof without the expressed written permission of EXTECH Exterior Technologies, Inc. is prohibited.

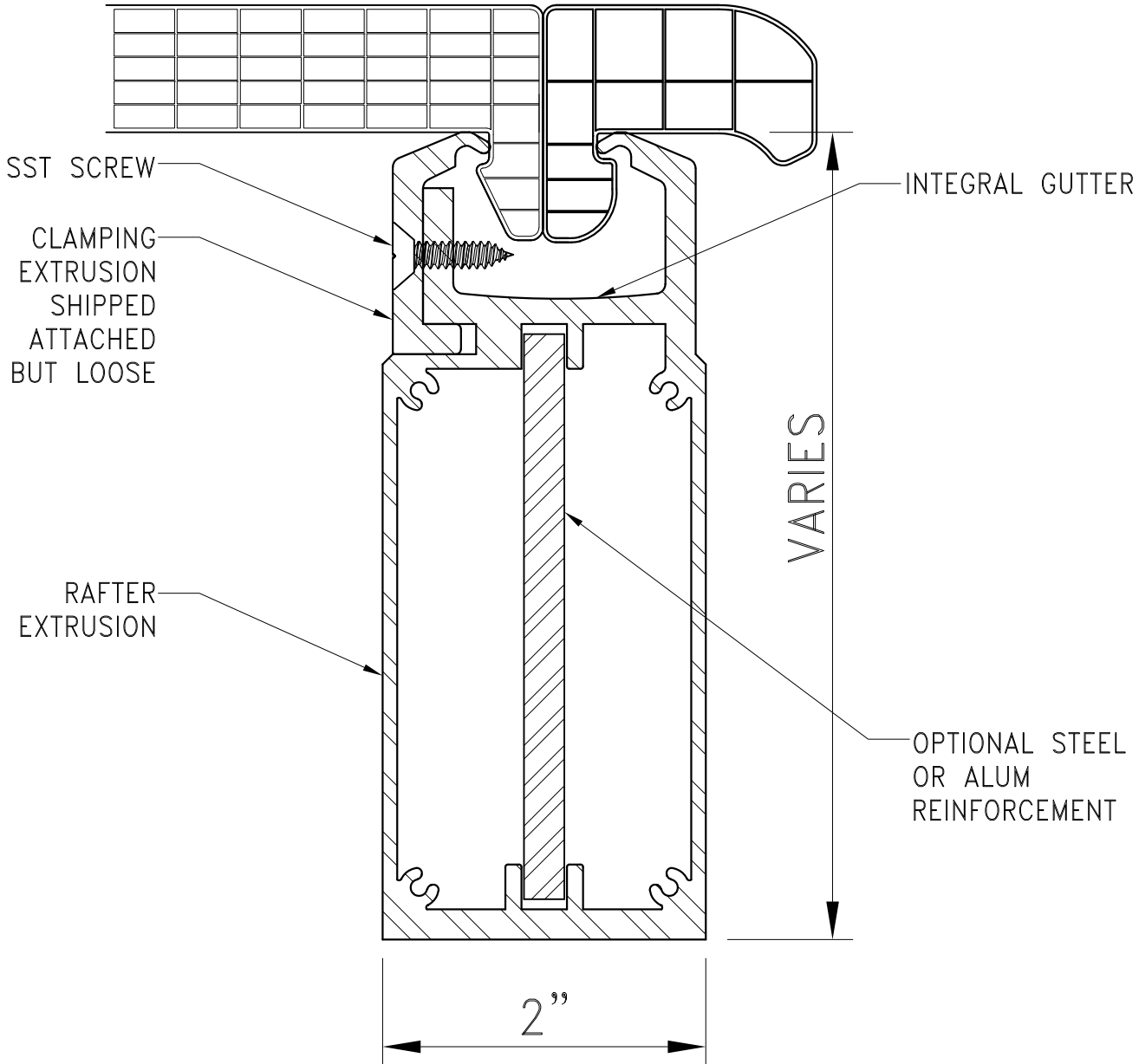
EXTECH

EXTERIOR TECHNOLOGIES, INC.

Creative Design & Manufacturing

You Imagine, We Deliver

8000 SkyShade



Sketch

SK-04

Rake Condition

3-22-18