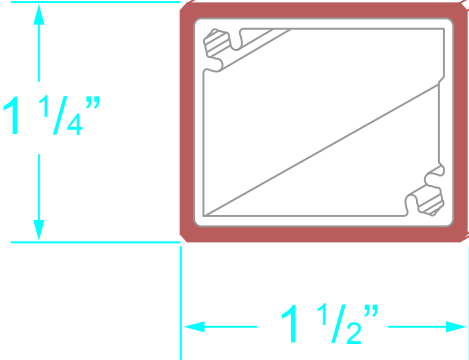


Trim Length: - Per customers specification  
Weight per lineal ft.: - Soleo 6027 = 0.5 lbs



Soleo 6027

**Geolam**  
Architectural Eco-Technology

Title  
**Hybrid Aluminum/WPC  
Soleo 6027**

Drawn **BR** Revision **A**

Date **3/10/17** Date **3/21/17**