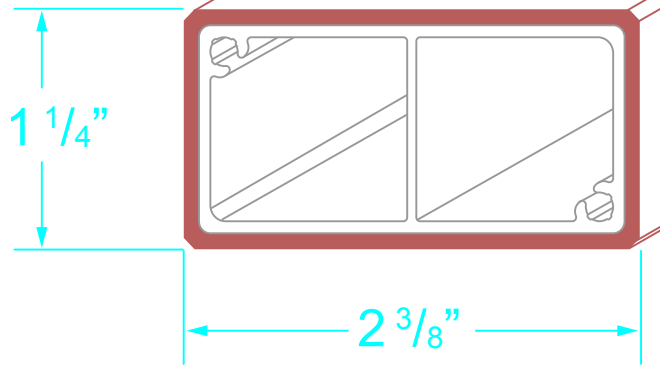


Trim Length: - Per customers specification
Weight per lineal ft.: - Soleo 6029 = 0.74 lbs



Soleo 6029

Geolam
Architectural Eco-Technology

Title
**Hybrid Aluminum/WPC
Soleo 6029**

Drawn **BR** Revision **A**

Date **3/10/17** Date **3/21/17**