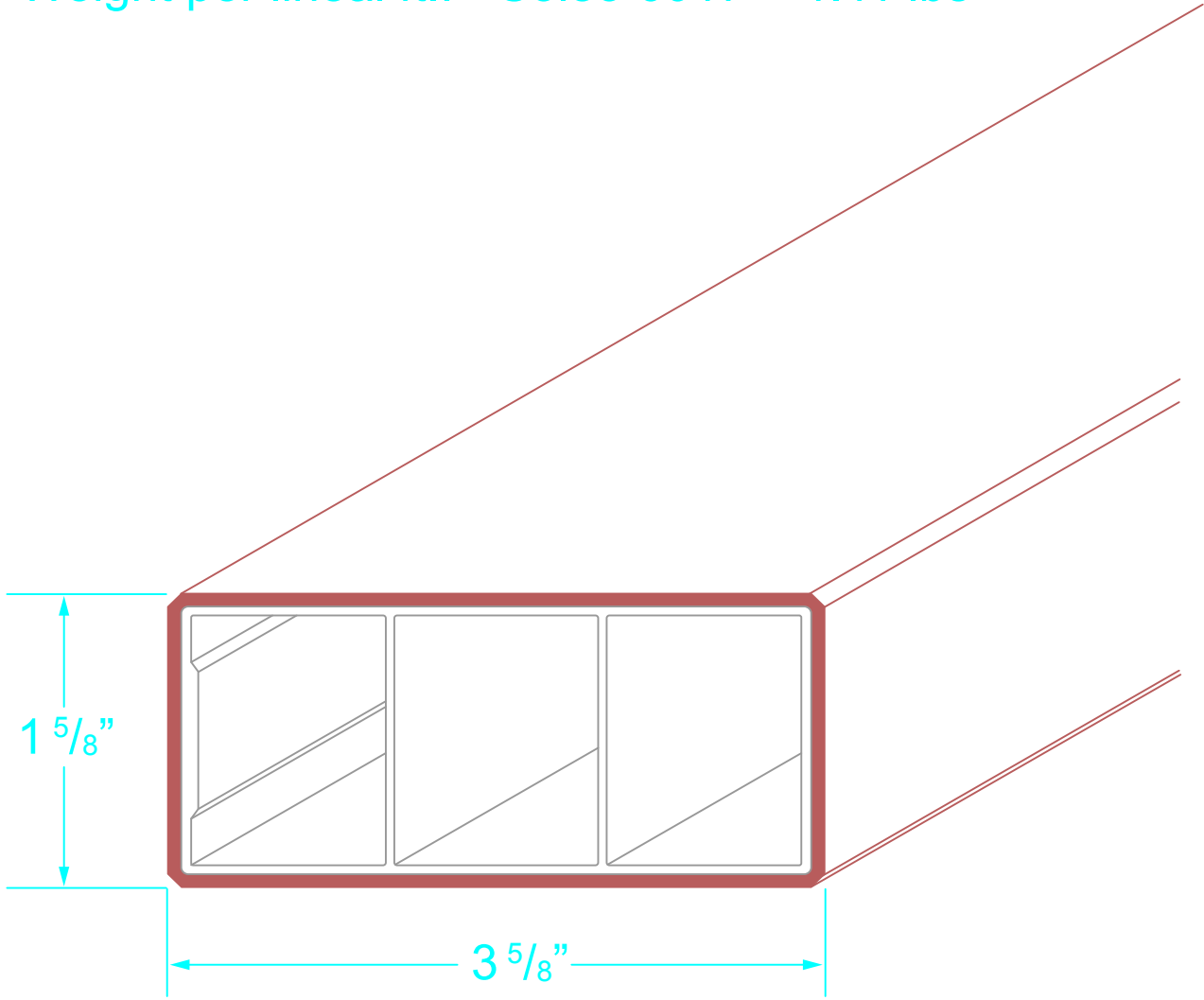


Trim Length: - Per customers specification
Weight per lineal ft.: - Soleo 6017 = 1.11 lbs



Soleo 6017

Geolam
Architectural Eco-Technology

Title
Hybrid Aluminum/WPC
Soleo 6017

Drawn BR Revision A

Date 3/10/17 Date 3/21/17