

# Series 5300 Top-Hinged and Fixed Industrial Window

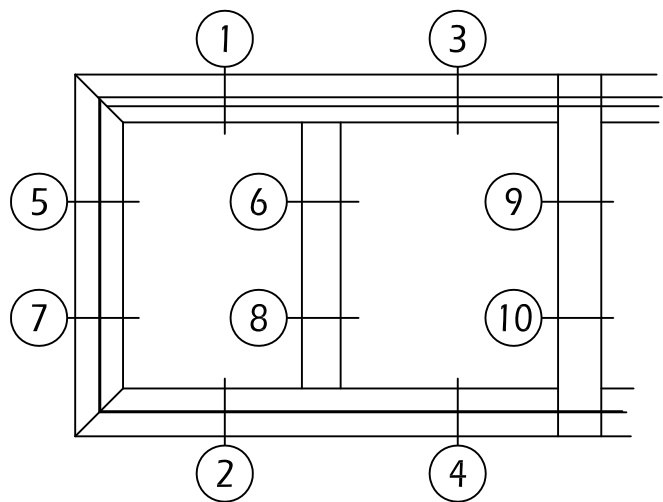
**EXTECH**  
EXTERIOR TECHNOLOGIES, INC.  
Creative Design & Manufacturing

*You Imagine, We Deliver*

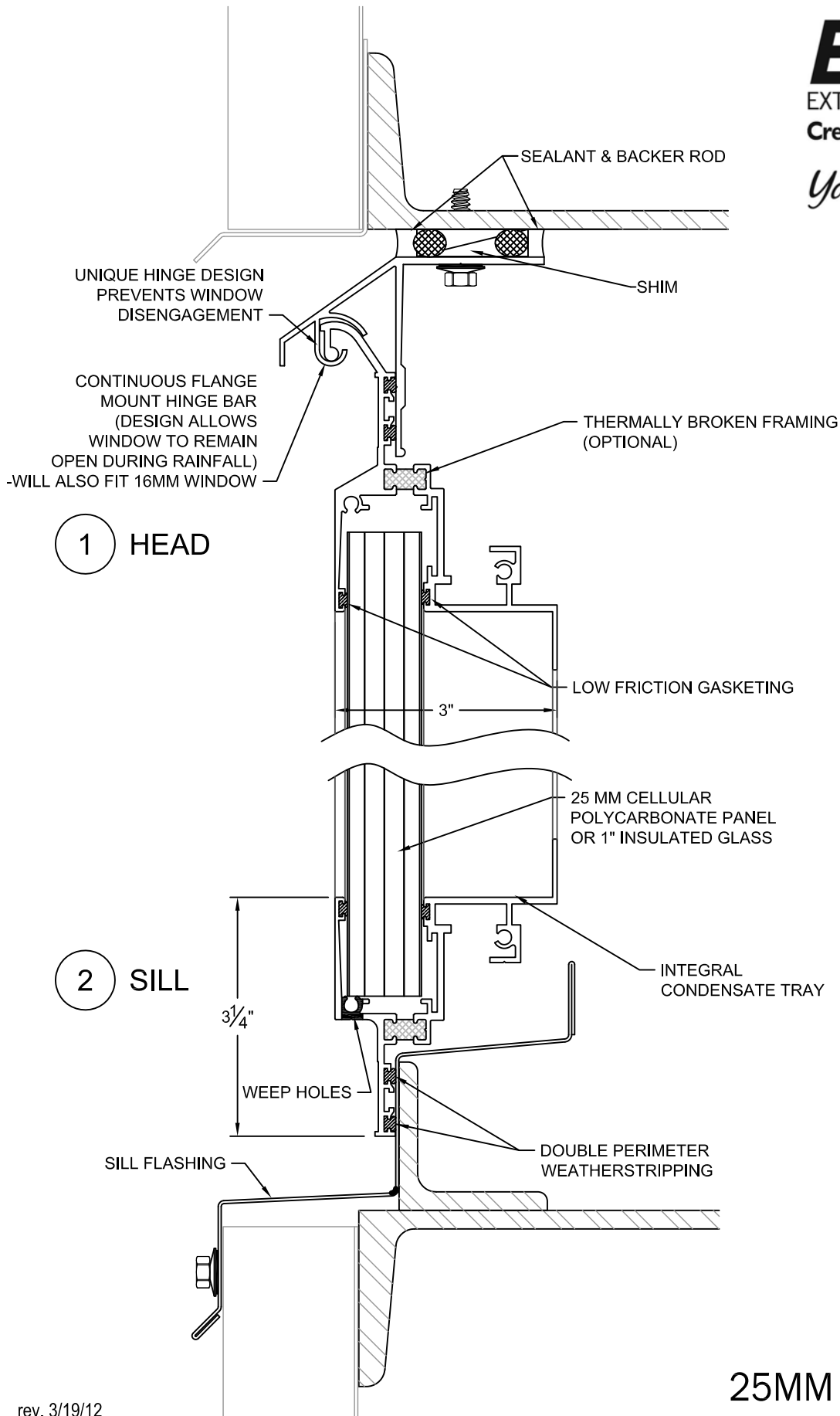
**ProTECHtor**®, a patented top-hinged, fixed window and skylight system for use with thermoplastic or glass glazing

## FEATURING:

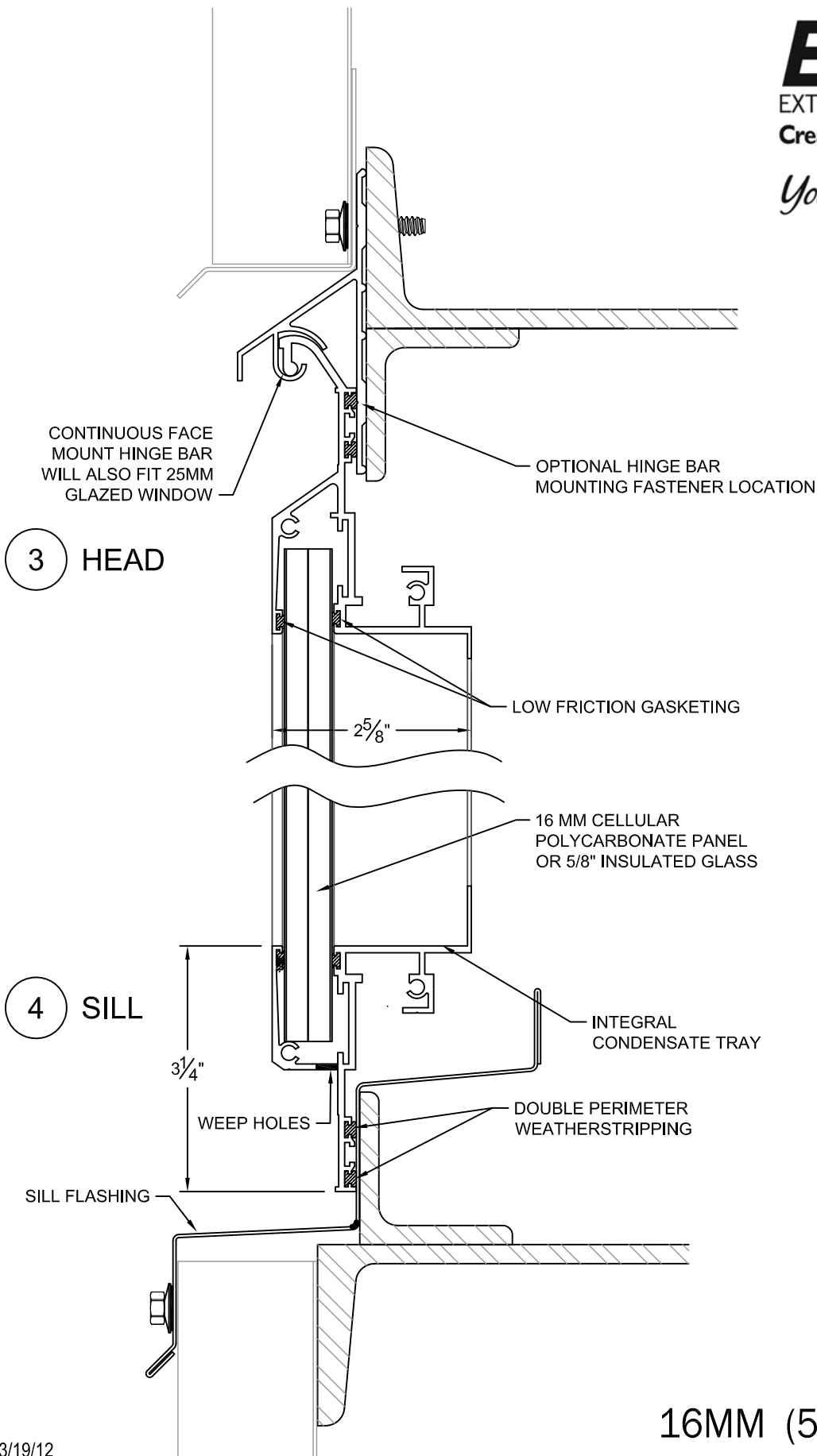
- Deep (1-1/4") glazing rabbets to allow for thermal expansion of the glazing material.
- Glazing gaskets with a low friction surface to allow for thermal movement of the glazing.
- Continuous hinge bar with wide clearance for operation in dirty environments or where the building structure is distorted.
- Various operating systems include: Manual, chain, crank or electrical systems.
- Extruded setting shelf for glazing material allows venting of cellular thermoplastics.
- Double perimeter weatherstripping.
- Ability to be used in continuous runs up to 100 ft. long or longer.
- Snap-together vertical joint for continuous runs, allows for thermal expansion of the system.
- Explosion release and heat release designs are available.
- Patented design (U.S. Patent #5,136,812)



**SERIES 5300** ■ PAGE A

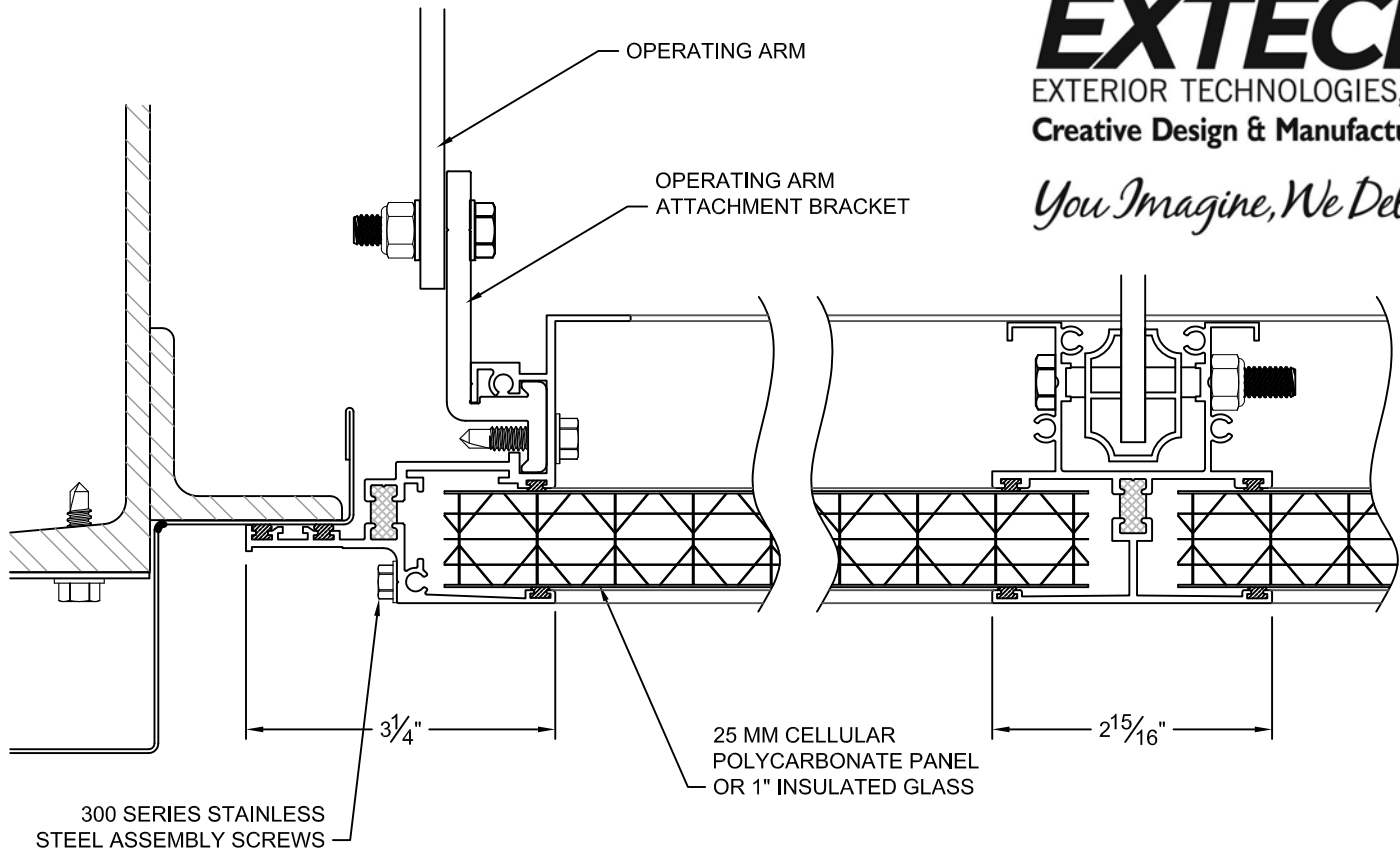


**25MM (1") GLAZING**



**16MM (5/8") GLAZING**

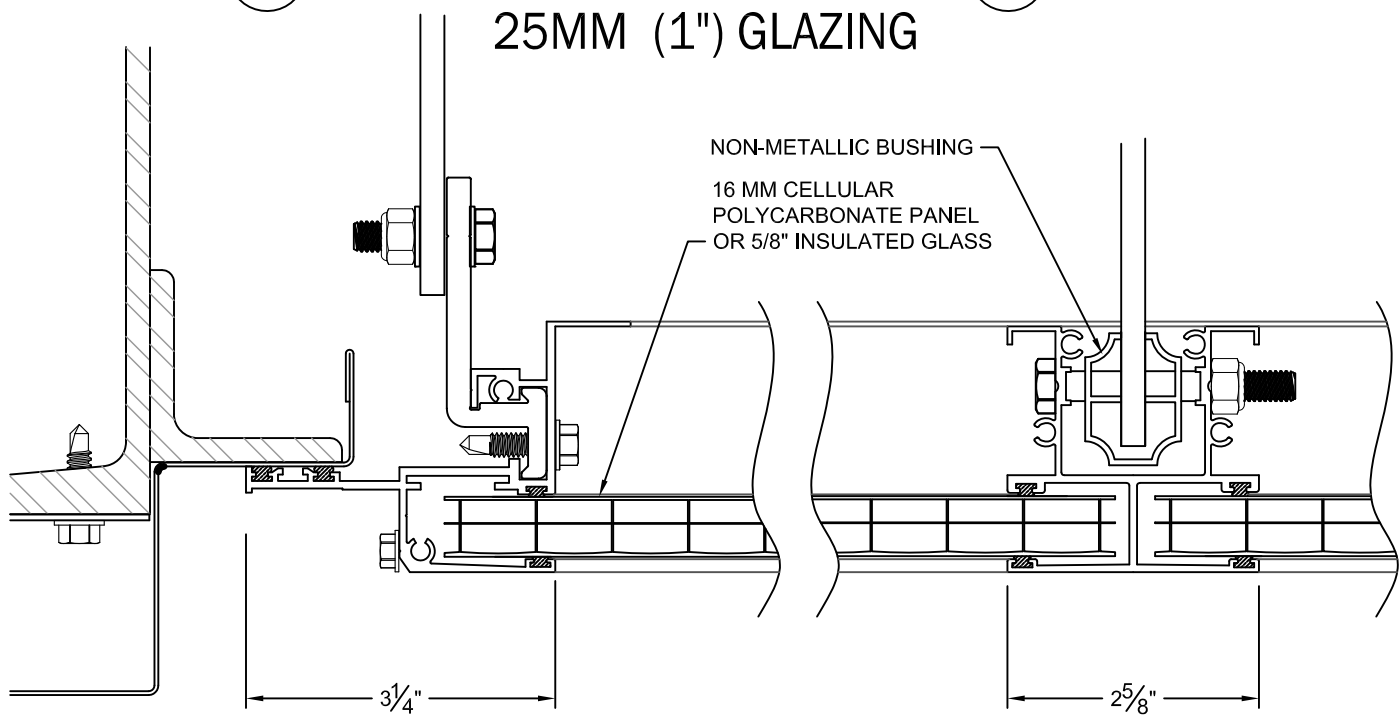
rev. 3/19/12



5 JAMB

6 MULLION

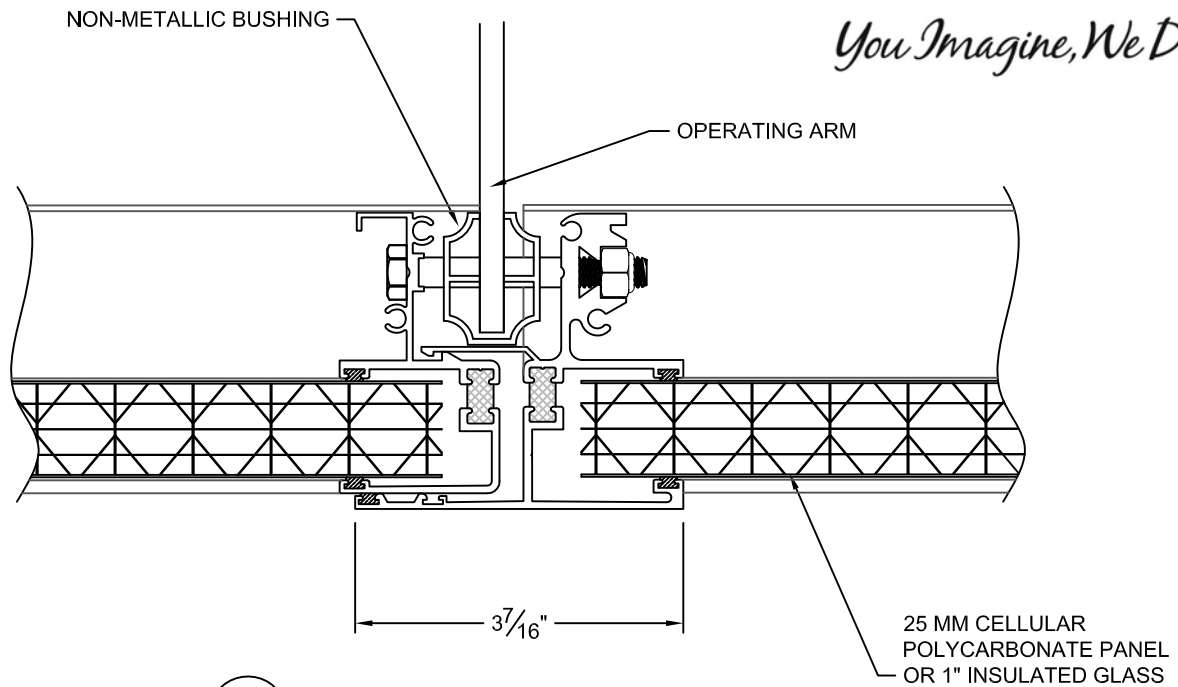
## 25MM (1") GLAZING



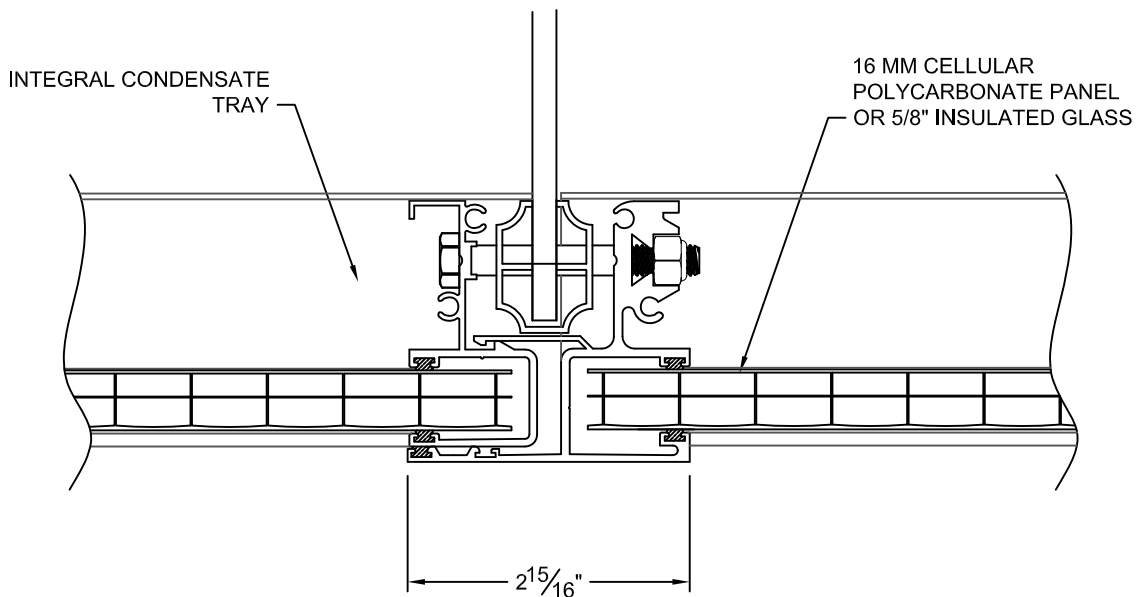
7 JAMB

8 MULLION

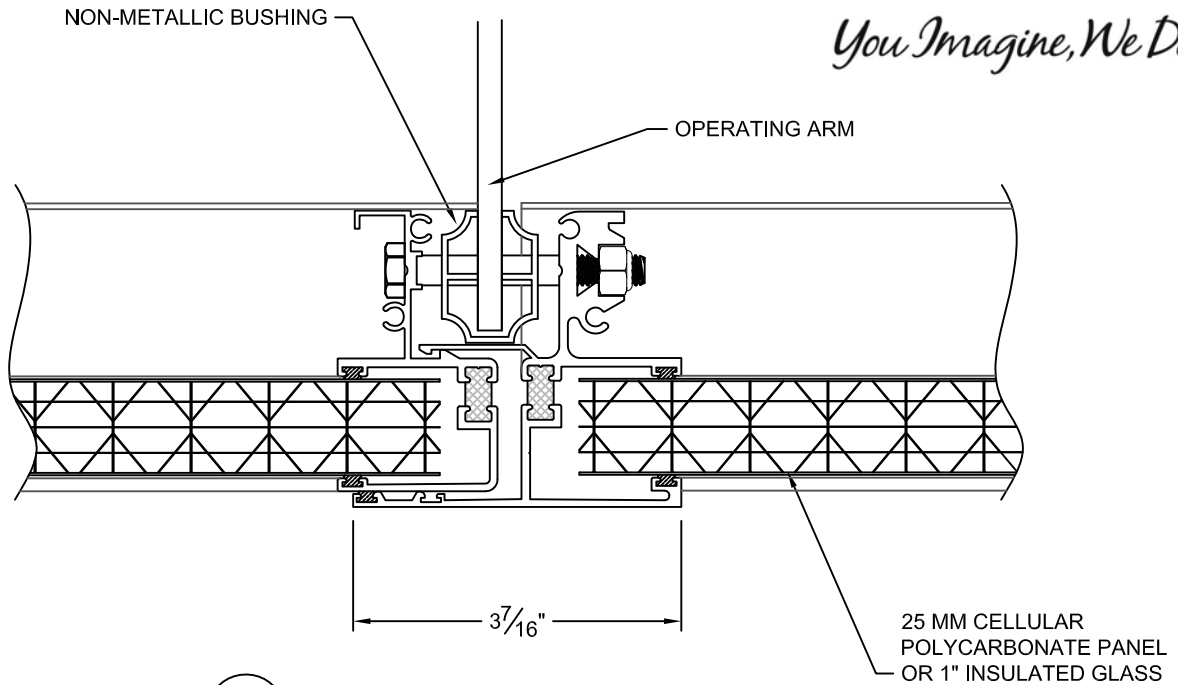
## 16MM (5/8") GLAZING



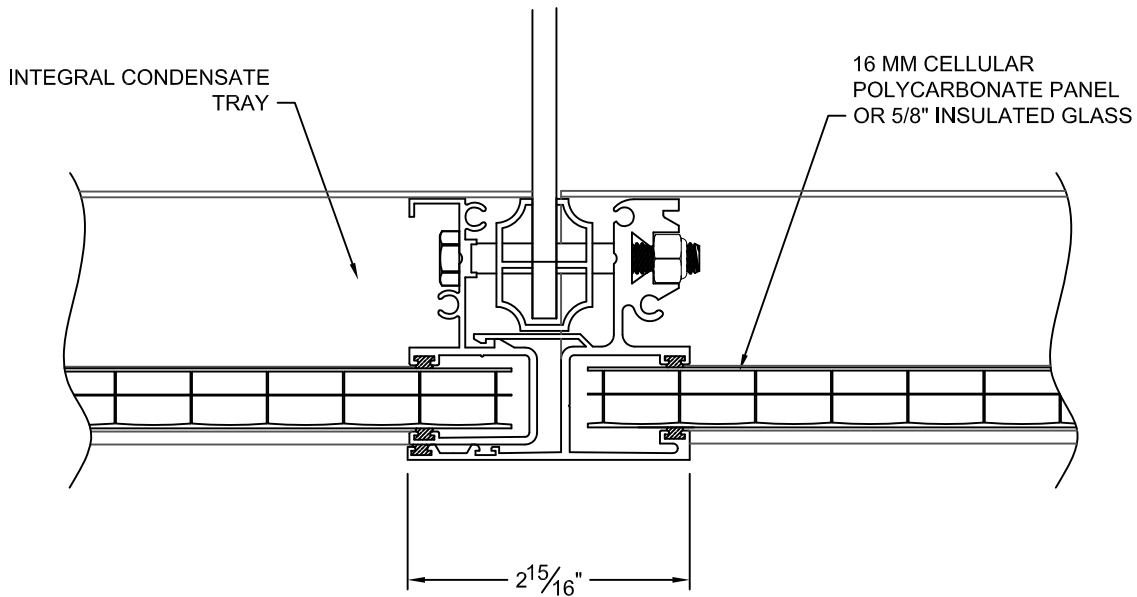
9 MALE / FEMALE MULLION  
 25MM (1") GLAZING



10 MALE / FEMALE MULLION  
 16MM (5/8") GLAZING



9 MALE / FEMALE MULLION  
 25MM (1") GLAZING



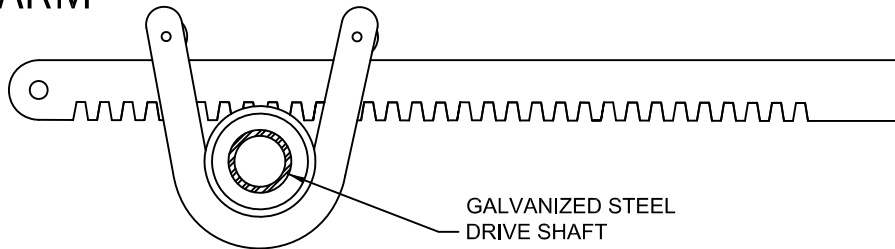
10 MALE / FEMALE MULLION  
 16MM (5/8") GLAZING

THESE ARE JUST SOME OF THE HARDWARE  
OPTIONS THAT ARE AVAILABLE FOR THE  
SERIES #5300 WINDOW SYSTEM. CONTACT  
EXTECH FOR ASSISTANCE IN DETERMINING  
THE BEST HARDWARE PACKAGE FOR YOUR  
PROJECT.

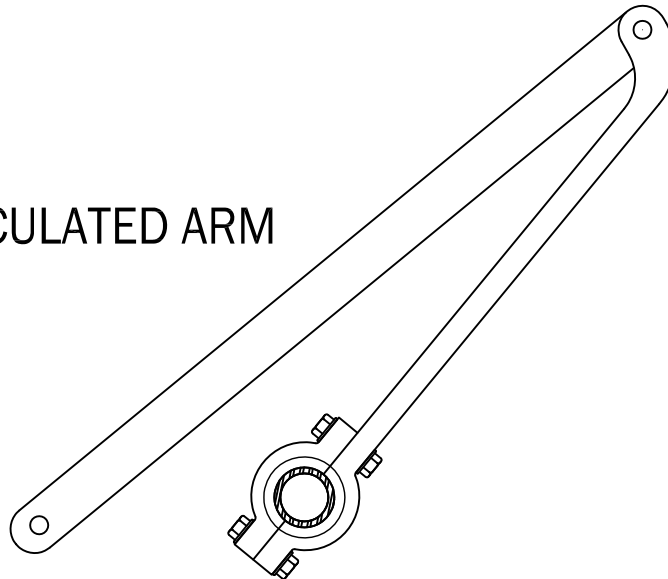
**EXTECH**  
EXTERIOR TECHNOLOGIES, INC.  
Creative Design & Manufacturing

*You Imagine, We Deliver*

RACK ARM



ARTICULATED ARM



PUSH BAR

